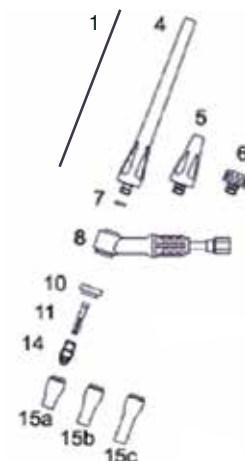


Wear parts boxes

TIG 101/301 WP9/20.....	3
TIG 201/401 WP17/18.....	4
TIG101/301/321.....	5
MIG ML150 ERGO/TWIST RH	6
MIG ML150B/C 161 MB15 CU LH	7
MIG ML250 MB25 CU.....	8
MIG ML240 MB24 CU.....	9
MIG ML300/360 MB26 CU	10
MIG ML300/360 MB36 L. CU	11
MIG MV450/550KD MB401/501D CU	12
MIG MV450/550 MB401/501CZ.....	13
MIG MV FKS400.....	14
MIG MV FKS500.....	15



Wear parts box for TIG 101/301 WP9/20



81100320: TIG 101/301 WP9/20 1,6mm
81100321: TIG 101/301 WP9/20 2,4mm

Pos	Art.no	Varebetegnelse Warenbezeichnung	Description of goods Désignation des pieces	81100320 Pcs. 1,6 Indhold/ contents	81100321 Pcs. 2,4 Indhold/ contents
10	80300219	Isolator TIG 101/301 Isolator TIG 101/301	Insulator TIG 101/301 Isolant TIG 101/301	2	2
1	80361372	Elektrode WS2 Ø1,6mm superblue Wolfram Elektrode WS2 Ø1,6 superblau	Tungsten electrode WS2 Ø1.6mm superblue Électrode en tungstène WS2 Ø1,6mm superbleu	1	-
1	80361374	Elektrode WS2 Ø2,4mm superblue Wolfram Elektrode WS2 Ø2,4 superblau	Tungsten electrode WS2 Ø2.4mm superblue Électrode en tungstène WS2 Ø2,4mm superbleu	-	1
4	80400117	Elektr.hætte kort TIG 101/301 Brennerkappe Kurz TIG 101/301	Electrode cap short TIG 101/301 Court-circuit du capuchon d'électrode TIG 101/301	1	1
14	80410202	Elektr.hold Ø1,6 TIG 101/301 Elektrodenhalter Ø1,6 TIG 101/301	Electrode holder Ø1.6 TIG 101/301 Capuchon d'électrode long TIG 101/301	1	-
14	80410203	Elektr.hold Ø2,4 TIG 101/301 Elektrodenhalter Ø2,4 TIG 101/301	Electrode holder Ø2.4 TIG 101/301 Porte-électrode Ø2,4 TIG 101/301	-	1
11	80430212	Elek.tang Ø1,6 25mm mess TIG 101/301 Spannhülse Ø1,6 25mm Messing keil TIG 101/301	Collet Ø1.6 25mm brass wedge TIG 101/301 Collet Ø1,6 25 mm cale en laiton TIG 101/301	3	-
11	80430213	Elek.tang Ø2,4 cuCr TIG 101/301 Spannhülse Ø2,4 mm CuCr TIG101/301	Electrode clamp Ø2.4 mm CuCr TIG 101/301 Pince d'électrode Ø2,4 mm CuCr TIG 101/301	-	3
15a	80440201	Gasdyse TIG 101/301/321 #4 Ø6.4 / 1/4" Gasdüse TIG 101/301/321 #4 Ø6.4 / 1/4"	Gas nozzle TIG 101/301/321 #4 Ø6.4 / 1/4" Buse à gaz TIG 101/301/321 #4 Ø6,4 / 1/4"	1	-
15a	80440202	Gasdyse TIG 101/301/321 #5 Ø8.0 / 5/16" Gasdüse TIG 101/301/321 #5 Ø8.0 / 5/16"	Gas nozzle TIG 101/301/321 #5 Ø8.0 / 5/16" Buse à gaz TIG 101/301/321 #5 Ø8.0 / 5/16"	1	1
15a	80440203	Gasdyse TIG 101/301/321 #6 Ø9.6 / 3/8" Gasdüse TIG 101/301/321 #6 Ø9.6 / 3/8"	Gas nozzle TIG 101-301/321 #6 Ø9.6 / 3/8" Buse à gaz TIG 101-301/321 #6 Ø9,6 / 3/8"	1	1
15a	80440204	Gasdyse TIG 101/301/321 #7 Ø11.2 / 7/16" Gasdüse TIG 101/301/321 #7 Ø11.2 / 7/16"	Gas nozzle TIG 101/301/321 #7 Ø11.2 / 7/16" Buse à gaz TIG 101/301/321 #7 Ø11,2 / 7/16"	1	1
15a	80440205	Gasdyse TIG 101/301/321 #8 Ø12.7 / 1/2" Gasdüse TIG 101/301/321 #8 Ø12.7 / 1/2"	Gas nozzle TIG 101/301/321 #8 Ø12.7 / 1/2" Buse à gaz TIG 101/301/321 #8 Ø12,7 / 1/2"	1	1
15a	80440206	Gasdyse TIG 101/300/321 #10 Ø16 / 5/8" Gasdüse TIG 101/301/321 #10 Ø16 / 5/8"	Gas nozzle TIG 101/301/321 #10 Ø16 / 5/8" Buse à gaz TIG 101/301/321 #10 Ø16 / 5/8"	-	1

Wear parts box for TIG 201/401 WP17/18

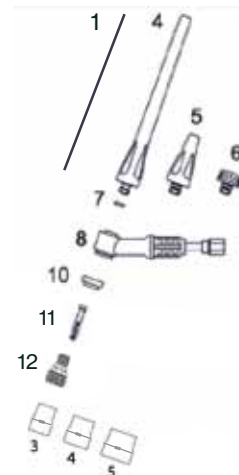


81100323: TIG 201/401 WP17/18/26 1,6mm

81100324: TIG 201/401 WP17/18/26 2,4mm

Pos	Art.no	Varebetegnelse Warenbezeichnung	Description of goods Désignation des pieces	Size 1,6 Indhold/ contents	Size 2,4 Indhold/ contents
11	80300189	Isolator TIG 201/401 Isolator TIG 201/401	Insulator TIG 201/401 Isolant TIG 201/401	2	2
6	80300201	Elektr.hætte lang TIG 201/401 Brennerkappe lang TIG 201-401	Electrode cap long TIG 201-401 Capuchon d'électrode long TIG 201-401	1	1
15	80310000	Elektr.hold. Ø1,6 TIG 201/401 Elektrodenhalter Ø1,6 TIG 201/401	Electrode holder Ø1.6 TIG 201/401 Porte-électrode Ø1,6 TIG 201/401	1	-
15	80310001	Elektr.hold. Ø2,4 TIG 201/401 Elektrodenhalter Ø2,4 TIG201/401	Electrode holder Ø2.4 TIG 201/401 Porte-électrode Ø2,4 TIG 201/401	-	1
12	80330111	Elek.tang Ø1,6 50mm CuCr TIG 201/401 Spannhülse Ø1,6 50mm CuCr TIG 201/401	Electrode clamp Ø1,6 50mm CuCr TIG 201/401 Pince à électrode Ø1,6 50mm CuCr TIG 201/401	2	-
12	80330112	Elek.tang Ø2,4 50mm CuCr Spannhülse Ø2,4 50mm CuCr	Electrode clamp Ø2,4 50mm CuCr Pince d'électrode Ø2,4 50mm CuCr	-	2
16	80340001	Gasdyse TIG 201/401 #4 Ø6,4 / 1/4" Gasdüse TIG 201/401 #4 Ø6,4 / 1/4"	Gas nozzle TIG 201/401 #4 Ø6,4 / 1/4" Buse à gaz TIG 201/401 #4 Ø6,4 / 1/4"	1	1
16	80340002	Gasdyse TIG 201/401 #5 Ø8,0 / 5/16" Gasdüse TIG 201/401 #5 Ø8,0 / 5/16"	Gas nozzle TIG 201/401 #5 Ø8,0 / 5/16" Buse à gaz TIG 201/401 #5 Ø8,0 / 5/16"	1	1
16	80340003	Gasdyse TIG 201/401 #6 Ø9,6 / 3/8" Gasdüse TIG 201/401 #6 Ø9,6 / 3/8"	Gas nozzle TIG 201/401 #6 Ø9,6 / 3/8" Buse à gaz TIG 201/401 #6 Ø9,6 / 3/8"	1	1
16	80340004	Gasdyse TIG 201/401 #7 Ø11,2 / 7/16" Gasdüse TIG 201/401 #7 Ø11,2 / 7/16"	Gas nozzle TIG 201/401 #7 Ø11,2 / 7/16" Buse à gaz TIG 201/401 #7 Ø11,2 / 7/16"	1	1
16	80340005	Gasdyse TIG 201/401 #8 Ø12,7 / 1/2" Gasdüse TIG 201/401 #8 Ø12,7 / 1/2"	Gas nozzle TIG 201/401 #8 Ø12,7 / 1/2" Buse à gaz TIG 201/401 #8 Ø12,7 / 1/2"	1	1
1	80361372	Elektrode WS2 Ø1,6mm superblue Wolfram Elektrode WS2 Ø1,6 superblau	Tungsten electrode WS2 Ø1.6 superblue Électrode en tungstène WS2 Ø1,6 superbleu	1	-
1	80361374	Elektrode WS2 Ø2,4mm superblue Wolfram Elektrode WS2 Ø2,4 superblau	Tungsten electrode WS2 Ø2.4 superblue Électrode en tungstène WS2 Ø2,4 superbleu	-	1

Wear parts box for TIG101/301/321

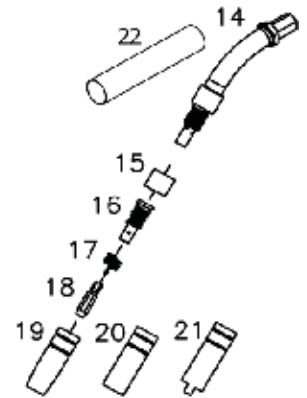


81100328: TIG 101/301 1,6mm filter gascup

81100329: TIG 101/301 2,4mm filter gascup

Pos	Art.no	Varebetegnelse Warenbezeichnung	Description of goods Désignation des pièces	81100328 Pcs. 1,6	81100329 Pcs. 2,4 Indhold/ contents
10	80300219	Isolator TIG 101/301 Isolator TIG 101/301	Insulator TIG 101/301 Isolant TIG 101/301	2	2
1	80361372	Elektrode WS2 Ø1,6mm superblue Wolfram Elektrode WS2 Ø1,6 superblau	Tungsten electrode WS2 Ø1.6 superblue Électrode en tungstène WS2 Ø1,6 superbleu	1	-
1	80361374	Elektrode WS2 Ø2,4mm Superblue Wolfram Elektrode WS2 Ø2,4 superblau	Tungsten electrode WS2 Ø2.4 superblue Électrode en tungstène WS2 Ø2,4 superbleu	-	1
6	80400115	Elektr.hætte kort TIG 101/301/321 Brennerkappe Kurz TIG 101/301/321	Electrode cap short TIG 101/301/321 Capuchon d'électrode court TIG 101/301/321	1	1
4	80400117	Elektr.hætte lang TIG 101/301/321 Brennerkappe Lang TIG 101/301/321	Electrode cap long TIG 101/301/321 Capuchon d'électrode long TIG 101/301/321	1	1
12	80410211	Gas linse HD Ø1,6 TIG 101/301/321 Gaslinse HD 1,6mm 101/301/321	Gas lens HD Ø1.6 101-301/321 Lentille à gaz HD Ø1,6 101/301/321	1	-
12	804010212	Gas linse HD Ø2,4mm TIG 101/301/321 Gaslinse HD 2,4mm TIG 101/301/321	Gas lens HD 2.4mm 101-301 cast brass Lentille à gaz HD 2,4mm TIG 101/301/321	-	1
11	80430222	Elek.tang Ø1,6 25mm mess TIG 101/301/321 Spannhülse Ø1,6 25mm Messing keil TIG 101/301/321	Collet Ø1.6 25mm brass wedge TIG 101/301 Collet Ø1,6 25 mm cale en laiton TIG 101/301	2	-
11	80430223	Elek.Tang Ø2,4 25mm Mess TIG 101/301/321 Spannhülse Ø2,4 25mm Messing keil TIG 101/301/321	Collet Ø2.4 25mm brass wedge TIG 101/301/321 Collet Ø2,4 25 mm cale en laiton TIG 101/301/321	-	2
3	80440420	Gasdyse JZ10 Ø17mm m/filt 1,6mm Gasdüse JZ10 Ø17mm mit Filter 1,6mm	Gas nozzle JZ10 Ø17mm with filter 1.6mm Buse à gaz JZ10 Ø17 mm avec filtre 1,6mm	1	-
3	80440431	FP12 Gasdyse Ø20mm m/filt 2,4mm Gasdüse FP12 Ø20mm mit Filter 2,4mm	Gas nozzle FP12 Ø20mm with filter 2.4mm Buse à gaz FP12 Ø20mm avec filtre 2,4mm	-	1
4	80440430	Gasdyse FP12 Ø20mm m/filt 1,6mm Gasdüse FP12 Ø20mm with Filter 1,6mm	Gas nozzle FP12 Ø20mm with filter 1.6mm Buse à gaz FP12 Ø20mm avec filtre 1,6mm	1	-
4	80440441	MK14 gasdyse Ø23mm m/filt 2,4mm Gasdüse MK14 Ø23mm mit Filter 2,4mm	Gas nozzle MK14 Ø23mm with filter 2.4mm Buse à gaz MK14 Ø23mm avec filtre 2,4mm	-	1
5	80440440	Gasdyse MK14 Ø23mm m/filt 1,6mm Gasdüse MK14 Ø23mm mit Filter 1,6mm	Gas nozzle MK14 Ø23mm with filter 1.6mm Buse à gaz MK14 Ø23mm avec filtre 1,6mm	1	-
5	80440451	BBW Gasdyse Ø25mm m/filt 2,4mm Gasdüse BBW Ø25mm mit Filter 2,4mm	Gas nozzle BBW Ø25mm with filter 2.4mm Buse à gaz BBW Ø25mm avec filtre 2,4mm	-	1

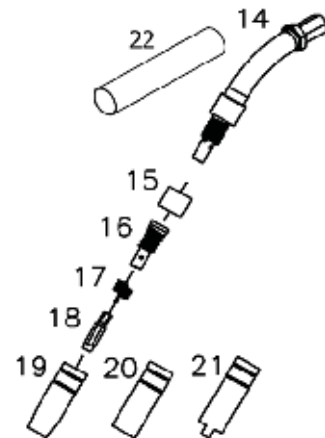
Wear parts box for MIG ML150 ERGO/TWIST RH



81100271: MIG ML150 ERGO/TWIST RH

Pos	Art.no	Varebetegnelse Warenbezeichnung	Description of goods Désignation des pieces	81100271 Indhold/ contents
14	80151202	Svanehals ML150 KRUM ERGO Brennerhals ML150 KRUM ERGO	Swan neck ML150 KRUM ERGO Col de cygne ML150 KRUM ERGO	-
14	80152202	Svanehals ML 150 MIG-A TWIST Brennerhals ML 150 MIG-A TWIST	Swan neck ML150 MIG-A Twist Col de cygne ML150 MIG-A Twist	-
16	80110020	Dykestok ML120/130/150 34mm Düsenstock ML120/130/150 34mm	Contact nozzle ML120/130/150 34mm Buse de contact ML120/130/150 34mm	1
15	80120500	Isoleringskappe ML120/130/150 Isolierkappe ML120/130/150	Insulating bush ML120/130/150 Douille isolante ML120/130/150	1
18	80130101	Dyse Ø0,6 m6 Ø6 x25mm E-CU Kontaktdüsen Ø0,6 M6 Ø6 x25mm E-CU	Contact tip Ø0.6 M6 Ø6 x25mm E-CU Pointe de contact Ø0,6 M6 Ø6 x25mm E-CU	5
18	80130102	Dyse Ø0,8 m6 Ø6 x25mm E-CU Kontaktdüsen Ø0,8 M6 Ø6 x25mm E-CU	Contact tip Ø0.8 M6 Ø6 x25mm E-CU Pointe de contact Ø0,8 M6 Ø6 x25mm E-CU	5
19	80140023	Gasdyse ML120/130/150 konisk 53mm Gasdüsen, ML120/130/150 conic 53mm	Gas nozzle, ML120/130/150 conic 53mm Buse à gaz, conique ML120/130/150 53mm	2
20	80140500	Gasdyse ML120/150 /161 cylind 53mm Gasdüsen ML120/150 /161 cylindric 53mm	Gas nozzle ML120/150/161 cylindric 53mm Buse à gaz ML120/150/161 cylindrique 53mm	-
21	80140022	Gasdyse ML120/150/161 punkt 60mm Gasdüsen ML120/150/161 spot 60mm	Gas nozzle ML120/150/161 spot 60mm Buse à gaz ML120/150/161 spot 60mm	-
22	80100073	Yderslange til ML150B/C-161 Überzugsschlauch, ML150B/C-161	Protection cover for ML150B/C-161 Housse de protection pour ML150B/C-161	-

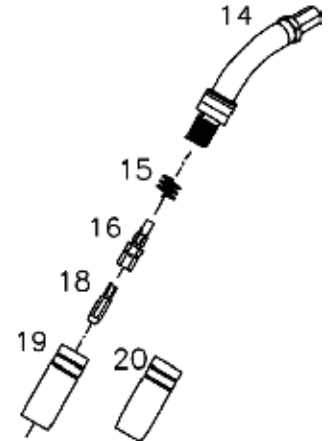
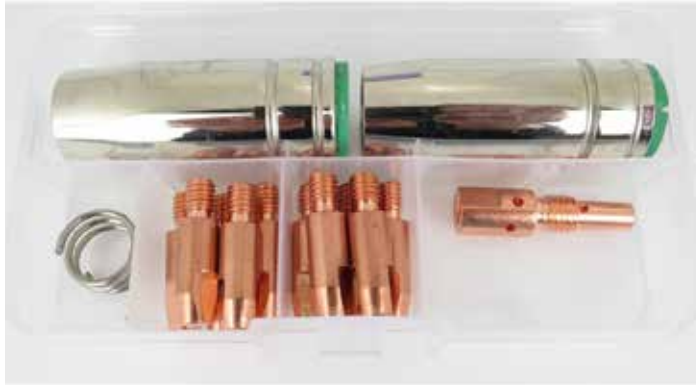
Wear parts box for MIG ML150B/C 161 MB15 CU LH



81100270: MIG ML150B/C161 MB15 CU LH

Pos	Art.no	Varebetegnelse Warenbezeichnung	Description of goods Désignation des pieces	81100270 Indhold/ contents
14	80150038	Svanehals ML161 m/tilslutning Brennerhals M161 mit Anschluß	Swan neck ML161 w/fitting Col de cygne ML161 avec raccord	-
14	80150037	Svanehals ML150Cc m/tilslutning Brennerhals ML150C mit Anschluß	Swan neck ML150C w/fitting Col de cygne ML150 C avec raccord	-
16	80110021	Dysestok ML161/ML 150C v/gev. Düsenstock ML150B/C-161, Linksgewinde	Contact nozzle ML161/ML150C, (left) Buse de contact ML161/ML150C, (gauche)	1
15	80120500	Isoleringskappe Isolierkappe	Insulating bush Douille isolante	1
18	80130101	Dyse Ø0,6 M6 Ø6 x25mm E-CU Kontaktdüsen Ø0,6 M6 Ø6 x25mm E-CU	Contact tip Ø0.6 M6 Ø6 x25mm E-CU Pointe de contact Ø0,6 M6 Ø6 x25mm E-CU	5
18	80130102	Dyse Ø0,8 M6 Ø6 x25mm E-CU Kontaktdüsen Ø0,8 M6 Ø6 x25mm E-CU	Contact tip Ø0.8 M6 Ø6 x25mm E-CU Pointe de contact Ø0,8 M6 Ø6 x25mm E-CU	5
19	80140023	Gasdyse ML120/130/150 konisk 53mm Gasdüsen, ML120/130/150 conic 53mm	Gas nozzle, ML120/130/150 conic 53mm Buse à gaz, conique ML120/130/150 53mm	2
20	80140500	Gasdyse ML120/150 /161 cylind 53mm Gasdüsen ML120/150 /161 cylindric 53mm	Gas nozzle ML120/150/161 cylindric 53mm Buse à gaz ML120/150/161 cylindrique 53mm	-
21	80140022	Gasdyse ML120/150/161 punkt 60mm Gasdüsen ML120/150/161 spot 60mm	Gas nozzle ML120/150/161 spot 60mm Buse à gaz ML120/150/161 spot 60mm	-
22	80100073	Yderslange til ML150B/C-161 Überzugsschlauch, ML150B/C-161	Protection cover for ML150B/C-161 Housse de protection pour ML150B/C-161	-

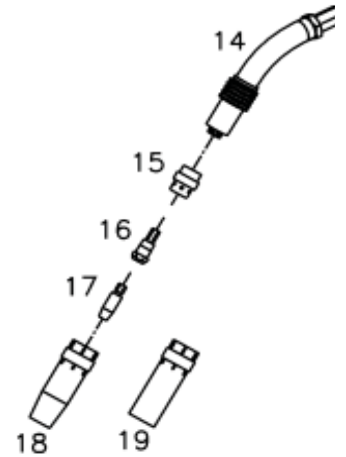
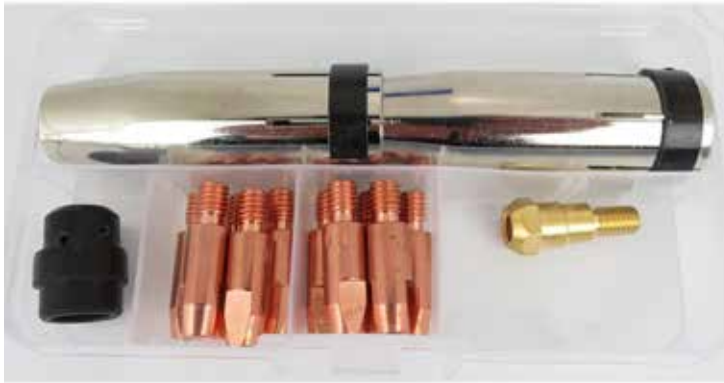
Wear parts box for MIG ML250 MB25 CU



81100273: MIG ML250 MB25 CU

Pos	Art.no	Varebetegnelse Warenbezeichnung	Description of goods Désignation des pieces	81100273 Indhold/ contents
14	80151302	Svanehals ML250 ERGO Brennerhals ML250 ERGO	Swan neck ML250 ERGO Col de cygne ML250 ERGO	-
14	80152302	Svanehals ML 250 MIG-A TWIST Brennerhals ML 250 MIG-A TWIST	Swan neck ML 250 MIG-A TWIST Col de cygne ML250 MIG-A TWIST	-
15	80100600	Holdefjeder ML250 Feder Düsenstock ML250	Retaining clamp ML250 Collier de retenue ML250	1
16	80110602	Dysestok ML250 M6 35mm Düsenstock ML250 M6 35mm	Tip adaptor ML250 M6 35mm Adaptateur d'embout ML250 M6 35 mm	1
18	80130201	Dyse Ø0,6 M6 Ø8 x28mm E-CU Kontaktdüsen Ø0,6 M6 Ø8 x28mm E-CU	Contact tip Ø0.6 M6 Ø8 x28mm E-CU Pointe de contact Ø0,6 M6 Ø8 x28mm E-CU	5
18	80130202	Dyse Ø0,8 M6 Ø8 x28mm E-CU Kontaktdüsen Ø0,8 M6 Ø8 x28mm E-CU	Contact tip Ø0.8 M6 Ø8 x28mm E-CU Pointe de contact Ø0,8 M6 Ø8 x28mm E-CU	5
19	80140601	Gasdyse ML250 konisk 57,5mm Gasdüsen ML250 cylindrisk 57,5mm	Gas nozzle ML250 cylindric 57.5mm Buse à gaz ML250 cylindrique 57,5 mm	2
20	80140600	Gasdyse ML250 cylindrisk 57,5mm Gasdüsen ML250 konisk 57,5mm	Gas nozzle ML250 conic 57.5mm Buse à gaz ML250 conique 57,5 mm	-

Wear parts box for MIG ML240 MB24 CU



81100274: MIG ML240 MB24 CU

Pos	Art.no	Varebetegnelse Warenbezeichnung	Description of goods Désignation des pieces	81100274 Indhold/ contents
14	80151402	Svanehals ML240 ERGO Brennerhals ML240 ERGO	Swan neck ML240 ERGO Col de cygne ML240 ERGO	-
14	80152402	Svanehals ML240 MIG-A TWIST Brennerhals ML240 MIG-A TWIST	Swan neck ML240 MIG-A TWIST Col de cygne ML240 MIG-A TWIST	-
15	83077481	Gasfordeler hvid ML/MV240 Gasverteiler ML/MV 240 weiss	Gas diffuser ML/MV240 White Diffuseur de gaz ML/MV240 blanc	-
15	83077480	Gasfordeler sort ML/MV240 Gasverteiler ML/MV240 schwarz	Gas diffuser ML/MV240 Black Diffuseur de gaz ML/MV240 noir	1
16	83077149	Dysestok ML/MV240 ms 5mm Düsenstock ML/MV240 5mm, Messing	Tip adaptor ML/MV240 brass, 5mm Adaptateur de pointe ML/MV240 en laiton, 5mm	1
17	80130202	Dyse Ø0,8 M6 Ø8 x28mm E-CU Kontaktdüsen Ø0,8 M6 Ø8 x 28 mm E-CU	Contact tip Ø0.8 M6 Ø8 x 28 mm E-CU Pointe de contact Ø0,8 M6 Ø8 x 28mm E-CU	5
17	80130203	Dyse Ø1,0 M6 Ø8 x28mm E-CU Kontaktdüsen Ø1,0 M6 Ø8 x 28 mm E-CU	Contact tip Ø1.0 M6 Ø8 x 28 mm E-CU Pointe de contact Ø1,0 M6 Ø8 x 28mm E-CU	5
18	80140610	Gasdyse ML/MV240 konisk 63,5mm Gasdüse ML/MV 240, konisch 63,5mm	Gas nozzle ML/MV240, conic 63.5mm Buse à gaz ML/MV240, conique 63,5mm	2
19	80140611	Gasdyse ML/MV240 cylindrisk 63,5mm Gasdüse ML/MV240, zylindrisch 63,5mm	Gas nozzle ML/MV240, cylindric 63.5mm Buse à gaz ML/MV240, cylindrique 63,5mm	-

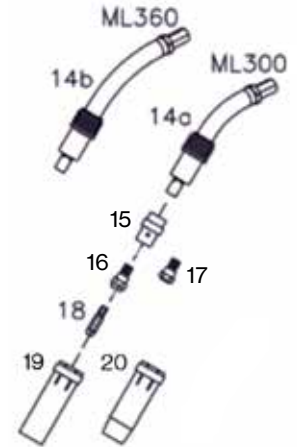
Wear parts box for MIG ML300/360 MB26 CU



81100275: MIG ML 300/360 MB26 CU

Pos	Art.no	Varebetegnelse Warenbezeichnung	Description of goods Désignation des pieces	81100275 Indhold/ contents
14a	80151502	Svanehals ML300 ERGO Brennerhals ML300 ERGO	Swan neck ML300 ERGO Col de cygne ML300 ERGO	-
14a	80152502	Svanehals ML300 MIG-A TWIST Brennerhals ML 300 MIG-A TWIST	Swan neck ML300 MIG-A TWIST Col de cygne ML300 MIG-A TWIST	-
14b	80151602	Svanehals ML360 ERGO Brennerhals ML360 ERGO	Swan neck ML360 ERGO Col de cygne ML360 ERGO	-
14b	80152602	Svanehals ML360 MIG-A TWIST Brennerhals ML360 MIG-A TWIST	Swan neck ML360 MIG-A TWIST Col de cygne ML360 MIG-A TWIST	-
15	80120301	Gasfordel. ML300/360 30mm hvid Gasverteiler ML300/360 30mm weiss	Gas diffuser ML300/360 30mm white Diffuseur de gaz ML300/360 30 mm blanc	1
16	80112640	Dysest. ML300-360 M8-6 CCZ 25mm Düsenstock ML300-360 M8-6 CCZ 25mm	Tip adaptor ML300-360 M8-6 CCZ 25mm Adaptateur de pointe ML300-360 M8-6 CCZ 25mm	1
17	80110026	Dysest. ML300-360 M8-6 BR 25mm Düsenstock ML300-360 M8-6 BR 25mm	Tip adaptor ML300-360 M8-6 BR 25mm Adaptateur de pointe ML300-360 M8-6 BR 25mm	-
18	80130202	Dyse Ø0,8 m6 Ø8 x28mm E-CU Kontaktdüsen Ø0,8 M6 Ø8 x28mm E-CU	Contact tip Ø0.8 M6 Ø8 x28mm E-CU Pointe de contact Ø0,8 M6 Ø8 x 28mm E-CU	5
18	80130203	Dyse Ø1,0 M6 Ø8 x28mm E-CU Kontaktdüsen Ø1,0 M6 Ø8 x28mm E-CU	Contact tip Ø1.0 M6 Ø8 x28mm E-CU Pointe de contact Ø1,0 M6 Ø8 x 28mm E-CU	5
19	80240300	Gasdyse ML/MV cylindrisk cu 76mm Gasdüsen ML/MV zylindrisch, CU 76mm	Gas nozzle ML/MV cylindric CU 76mm Buse à gaz cylindrique ML/MV CU 76mm	-
20	80240303	Gasdyse ML/MV konisk cu 76mm Gasdüsen ML/MV konisch CU 76mm	Gas nozzle ML/MV conic CU 76mm Buse à gaz conique ML/MV CU 76mm	2

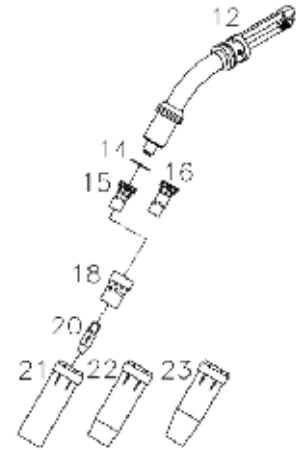
Wear parts box for MIG ML300/360 MB36 L. CU



81100276: MIG ML 300/360 MB36 L. CU

Pos	Art.no	Varebetegnelse Warenbezeichnung	Description of goods Désignation des pieces	81100276 Indhold/ contents
14a	80151502	Svanehals ML300 ERGO Brennerhals ML300 ERGO	Swan neck ML300 ERGO Col de cygne ML300 ERGO	-
14a	80152502	Svanehals ML300 MIG-A TWIST Brennerhals ML 300 MIG-A TWIST	Swan neck ML300 MIG-A TWIST Col de cygne ML300 MIG-A TWIST	-
14b	80151602	Svanehals ML360 ERGO Brennerhals ML360 ERGO	Swan neck ML360 ERGO Col de cygne ML360 ERGO	-
14b	80152602	Svanehals ML360 MIG-A TWIST Brennerhals ML 360 MIG-A TWIST	Swan neck ML360 MIG-A TWIST Col de cygne ML360 MIG-A TWIST	-
15	80120306	Gasfordeler lang 32mm ML360 hvid Gasverteiler LANG 32mm ML360 weiss	Gas diffuser 32mm ML360 white Diffuseur de gaz blanc 32mm ML360	1
16	80112637	Dysestok ML300/360 m8-6 32mm Düsenstock ML300/360 M8-6 32mm	Tip adaptor ML300/360 M8-6 32mm Adaptateur de buse ML300/360 M8-6 32mm	1
17	80112639	Dysestok ML300/360 m8-8 32mm Düsenstock ML300/360 M8-8 32mm	Tip adaptor ML300/360 M8-8 32mm Adaptateur de buse ML300/360 M8-8 32mm	-
18	80130202	Dyse ø0,8 M6 Ø8 x28mm E-CU Kontaktdußen Ø0,8 M6 Ø8 x28mm E-CU	Contact tip Ø0,8 M6 Ø8 x28mm E-CU Buse de contact Ø0,8 M6 Ø8 x 28mm E-CU	5
18	80130203	Dyse ø1,0 M6 Ø8 x28mm E-CU Kontaktdußen Ø1,0 M6 Ø8 x28mm E-CU	Contact tip Ø1,0 M6 Ø8 x28mm E-CU Buse de contact Ø1,0 M6 Ø8 x 28mm E-CU	5
19	80140700	Gasdyse ML360 konisk ni 84mm Gasdüsen ML360 konisch vernickelt 84mm	Gas nozzle ML360 conic nickelled 84mm Buse à gaz conique nickelée ML360 84mm	2
20	80140701	Gasdyse ML360 cylind ni 84mm Gasdüsen ML360 cylindrisch vernickelt 84mm	Gas nozzle ML360 cylindric nickelled 84mm Buse à gaz cylindrique nickelée ML360 84mm	-

Wear parts box for MIG MV450/550KD MB401/501D CU



81100277: MIG MV450/550KD MB401/501D CU

Pos	Art.no	Varebetegnelse Warenbezeichnung	Description of goods Désignation des pieces	81100277 Indhold/ contents
12	80251202	Svanehals MV450 KD ERGO Brennerhals MV450 KD ERGO	Swan neck MV450 KD ERGO Col de cygne MV450 KD ERGO	-
12	80251302	Svanehals MV550 KD ERGO Brennerhals MV550 KD ERGO	Swan neck MV550 KD ERGO Col de cygne MV550 KD ERGO	-
12	80252202	Svanehals MV450KD MIG-A TWIST Brennerhals MV 450 KD MIG-A TWIST	Swan neck MV450KD MIG-A TWIST Col de cygne MV450KD MIG-A TWIST	-
12	80252302	Svanehals MV550KD MIG-A TWIST Brennerhals MV 550 KD MIG-A TWIS	Swan neck MV550KD MIG-A TWIST Col de cygne MV550KD MIG-A TWIST	-
14	80220303	Isoskive MV450/550 KD Isolierscheibe MV450/550 KD	Insulating washer MV450/550 KD Rondelle isolante MV450/550 KD	2
15	80110401	Dysestok MV450/550 M8 25mm Düsenstock MV450/550 M8 25mm, messing	Tip adaptor MV450/550 M8 25mm Adaptateur de pointe MV450/550 M8 25mm	1
16	80110402	Dysestok MV450/550 M8 29mm Düsenstock MV450/550 M8 29mm, messing	Tip adaptor MV450/550 M8 29mm Adaptateur de pointe MV450/550 M8 29mm	1
18	80220309	Gasfordeler hvid MV450/550 Gasverteiler weiß MV450/550	Gas diffuser white MV450/550 Diffuseur de gaz blanc MV450/550	2
20	80231102	Dyse Ø1,0 M8 Ø10 x30mm E-CU Kontaktdüsen Ø1,0 M8 Ø10 x30mm E-CU	Contact tip Ø1,0 M8 Ø10 x30mm E-CU Pointe de contact Ø1,0 M8 Ø10 x30mm E-CU	5
20	80231103	Dyse Ø1,2 M8 Ø10 x30mm E-CU Kontaktdüsen Ø1,2 M8 Ø10 x30mm E-CU	Contact tip Ø1,2 M8 Ø10 x30mm E-CU Pointe de contact Ø1,2 M8 Ø10 x30mm E-CU	5
21	80240300	Gasdyse ML/MV cylindrisk cu 76mm Gasdüsen ML/MV zylindrisch CU 76mm	Gas nozzle ML/MV cylindric CU 76mm Buse de gaz ML/MV cylindrique CU 76mm	-
22	80240303	Gasdyse ML/MV konisk cu 76mm Gasdüsen ML/MV konisch CU 76mm	Gas nozzle ML/MV conic CU 76mm Buse de gaz ML/MV conique CU 76mm	2
23	80240304	Gasdyse ML/MV superkonisk 76mm Gasdüsen ML/MV super konisch 76mm	Gas nozzle ML/MV super conic 76mm Buse de gaz ML/MV super-conique 76mm	-

Wear parts box for MIG MV450/550 MB401/501CZ



81100278: MIG MV450/550 MB401/501CZ

Pos	Art.no	Varebetegnelse Warenbezeichnung	Description of goods Désignation des pieces	81100278 Indhold/ contents
12	80251202	Svanehals MV450 KD ERGO Brennerhals MV450 KD ERGO	Swan neck MV450 KD ERGO Col de cygne MV450 KD ERGO	-
12	80251302	Svanehals MV550 KD ERGO Brennerhals MV550 KD ERGO	Swan neck MV550 KD ERGO Col de cygne MV550 KD ERGO	-
12	80252202	Svanehals MV450KD MIG-A TWIST Brennerhals MV 450 KD MIG-A TWIST	Swan neck MV450KD MIG-A TWIST Col de cygne MV450KD MIG-A TWIST	-
12	80252302	Svanehals MV550KD MIG-A TWIST Brennerhals MV 550 KD MIG-A TWIST	Swan neck MV550KD MIG-A TWIST Col de cygne MV550KD MIG-A TWIST	-
14	80220303	Isoskive MV450/550 KD Isolierscheibe MV 450/550 KD	Insulating washer MV450/550 KD Rondelle isolante MV450/550 KD	2
15	80110406	Dysestok MV450/550 CUCRZR 25mm Düsenstock MV450/550 CUCRZR 25mm	Tip adaptor MV450/550 CUCRZR 25mm Adaptateur de pointe MV450/550 CUCRZR 25mm	1
16	80110409	Dysestok MV450-550 CUCRZR 29mm Düsenstock MV450-550 CUCRZR 29mm	Tip adaptor MV450-550 CUCRZR 29mm Adaptateur de pointe MV450-550 CUCRZR 29mm	1
18	80220309	Gasfordeler hvid MV450/550 Gasverteiler weiß MV450/550	Gas diffuser white MV450/550 Diffuseur de gaz blanc MV450/550	2
20	80231206	Dyse Ø1,0 M8 Ø10 x30mm CUCRZR Kontaktdüsen Ø1,0 M8 Ø10 x30mm CUCRZR	Contact tip Ø1,0 M8 Ø10 x30mm CUCRZR Pointe de contact Ø1,0 M8 Ø10 x 30 mm CUCRZR	5
20	80231207	Dyse Ø1,2 M8 Ø10 x30mm CUCRZR Kontaktdüsen Ø1,2 M8 Ø10 x30mm CUCRZR	Contact tip Ø1,2 M8 Ø10 x30mm CUCRZR Pointe de contact Ø1,2 M8 Ø10 x 30 mm CUCRZR	5
21	80240300	Gasdyse ML/MV cylindrisk cu 76mm Gasdüsen ML/MV zylindrisch CU 76mm	Gas nozzle ML/MV cylindric CU 76mm Buse de gaz ML/MV cylindrique CU 76mm	-
22	80240303	Gasdyse ML/MV konisk CU 76mm Gasdüsen ML/MV konisch CU 76mm	Gas nozzle ML/MV conic CU 76mm Buse de gaz ML/MV conique CU 76mm	2
23	80240304	Gasdyse ML/MV superkonisk 76mm Gasdüsen ML/MV super konisch 76mm	Gas nozzle ML/MV super conic 76mm Buse de gaz ML/MV super-conique 76mm	-

Wear parts box for MIG MV FKS400



81100279: MIG MVFKS400

Pos	Art.no	Varebetegnelse Warenbezeichnung	Description of goods Désignation des pieces	81100279 Indhold/ contents
12	80252500	Svanehals MV400 FKS TWIST Brennerhals MV400 FKS Twist	Swan neck MV400 FKS TWIST Col de cygne MV400 FKS TWIST	-
12	80252501	Svanehals 30° MV400 FKS TWIST Brennerhals 30° MV400 FKS TWIST	Swan neck 30° MV400 FKS TWIST Col de cygne 30° MV400 FKS TWIST	-
13	92555041	Krympflex Ø24 /8mm 1,2m lim Schrumpf-Flex Ø24 /8 mm 1,2 m selbstklebend	Shrink FLEX Ø24 /8mm, 1.2m glue Gaine thermorétractable FLEX Ø24 /8mm, 1,2 m de colle	-
14	80100769	Isoleringsbøsning køl, FKS400 Isolierbuchse, kühlung, FKS400	Insulating bush, cooling, FKS400 Douille isolante de refroidissement FKS400	-
15	80100767	Vand-kølingsenhed, MV FKS 400 Wasserkühlmodul, MV FKS 400	Water cooling unit, MV FKS400 Unité de refroidissement par eau MV FKS400	-
16	80100764	O-ring MV FKS400 Ø12 x 2,5 O-Ring MV FKS400 Ø12 x 2,5	O-ring MV FKS400 Ø12 x 2.5 Joint torique MV FKS400 Ø12 x 2,5	4
17	80220201	Isolatorring, FKS400 Isolerring, FKS400	Insulating ring, FKS400 Bague isolante FKS400	2
18	80110408	Dysestok MV400 FKS 24mm Düsenstock MV400 FKS 24mm	Contact nozzle MV400 FKS 24mm Buse de contact MV400 FKS 24 mm	1
19	80231201	Dyse Ø1,0 M8 Ø8 x30mm CUCRZR Kontaktdüsen Ø1,0 M8 Ø8 x30mm CUCRZR	Contact tip Ø1.0 M8 Ø8 x30mm CUCRZR Pointe de contact Ø1,0 M8 Ø8 x 30mm CUCRZR	5
19	80231202	Dyse Ø1,2 M8 Ø8 x30mm CUCRZR Kontaktdüsen Ø1,2 M8 Ø8 x30mm CUCRZR	Contact tip Ø1.2 M8 Ø8 x30mm CUCRZR Pointe de contact Ø1,2 M8 Ø8 x 30mm CUCRZR	5
20	80240308	Gasdyse MV400 FKS cylind 62mm Gasdüse MV400 FKS zylindrisch 62mm	Gas nozzle MV400 FKS cylindric 62mm Buse à gaz cylindrique MV400FKS 62mm	-
21	80240307	Gasdyse MV400 FKS konisk 62mm Gasdüse MV400 FKS konisch 62mm	Gas nozzle MV400 FKS conic 62mm Buse à gaz conique MV400 FKS 62mm	2
22	80240318	Gasdyse MV400 FKS cylind 67mm Gasdüse MV400 FKS zylindrisch 67mm	Gas nozzle MV400 FKS cylindric 67mm Buse à gaz cylindrique MV400 FKS 67 mm	-

Wear parts box for MIG MV FKS500



81100280: MIG MVFKS500

Pos	Art.no	Varebetegnelse Warenbezeichnung	Description of goods Désignation des pieces	81100280 Indhold/ contents
12	80252502	Svanehals MV500 FKS TWIST Brennerhals MV500 FKS Twist	Swan neck MV500 FKS TWIST Col de cygne MV500 FKS TWIST	-
13	92555041	Krympflex Ø24 /8mm 1,2m lim Schrumpf-Flex Ø24 /8mm 1,2m selbstklebend	Shrink FLEX Ø24 /8mm 1.2m glue Gaine thermorétractable FLEX Ø24 /8mm 1,2m avec colle	-
14	80100772	Isoleringsbøsning køl, MVFKS500 Isolator für Kühleinheit, MVFKS500	Insulator for cooling unit, MVFKS500 Isolant pour groupe de refroidissement MVFKS500	-
15	80100770	Vand-kølingsenhed, MV FKS 500 Wasserkühlmodul, MV FKS 500	Water cooling unit, MV FKS 500 Groupe de refroidissement à eau MV FKS 500	-
16	80100766	O-ring MV FKS500 Ø13,5 X 2,5 O-ring MV FKS500 Ø13,5 x 2,5	O-ring MV FKS500 Ø13.5 x 2.5 Joint torique MV FKS500 Ø13,5 x 2,5	4
17	80220202	Isoleringsring, FKS500 Isolerring, FKS500	Insulating ring, FKS500 Bague isolante FKS500	2
18	80110412	Dysestok FKS500W M8 35mm CUCRZ Düsenstock FKS500W M8 35mm CUCRZ	Tip adaptor FKS500W M8 35mm CUCRZ Adaptateur d'embout FKS500W M8 35mm CUCRZ	1
19	80220312	Gasfordeler hvid MV500FKS Gasverteiler weiß MV500FKS	Gas diffuser white MV500FKS Diffuseur de gaz blanc MV500FKS	2
20	80231201	Dyse Ø1,0 M8 Ø8 x30mm CUCRZR Kontaktdüsen Ø1,0 M8 Ø8 x30mm CUCRZR	Contact tip Ø1.0 M8 Ø8 x30mm CUCRZR Embout de contact Ø1,0 M8 Ø8 x 3mm CUCRZR	5
20	80231202	Dyse Ø1,2 M8 Ø8 x30mm CUCRZR Kontaktdüsen Ø1,2 M8 Ø8 x30mm CUCRZR	Contact tip Ø1.2 M8 Ø8 x30mm CUCRZR Embout de contact Ø1,2 M8 Ø8 x 30mm CUCRZR	5
21	80240300	Gasdyse ML/MV cylindrisk CU 76mm Gasdüsen ML/MV zylindrisch CU 76mm	Gas nozzle ML/MV cylindric CU 76mm Buse à gaz ML/MV cylindrique CU 76mm	-
22	80240303	Gasdyse ML/MV konisk CU 76mm Gasdüsen ML/MV konisch CU 76mm	Gas nozzle ML/MV conic CU 76mm Buse à gaz ML/MV conique CU 76mm	2
23	80240304	Gasdyse ML/MV superkonisk 76mm Gasdüsen ML/MV super konisch 76mm	Gas nozzle ML/MV super conic 76mm Buse à gaz ML/MV super-conique 76mm	-
24	80140701	Gasdyse ML360 cylind NI 84mm Gasdüsen ML360 zylindrisch vernickelt 84mm	Gas nozzle ML360 cylindrical NI 84mm Buse à gaz ML360 cylindrique NI 84mm	-
25	80140700	Gasdyse ML360 konisk NI 84mm Gasdüsen ML360 konisch vernickelt 84mm	Gas nozzle ML360 conic NI 84mm Buse à gaz ML360 conique NI 84mm	-

Migatronic A/S
Aggersundvej 33
9690 Fjerritslev
Denmark

Telephone: (+45) 96 500 600
Fax: (+45) 96 500 601
sales@migatronic.dk

MIGATRONIC