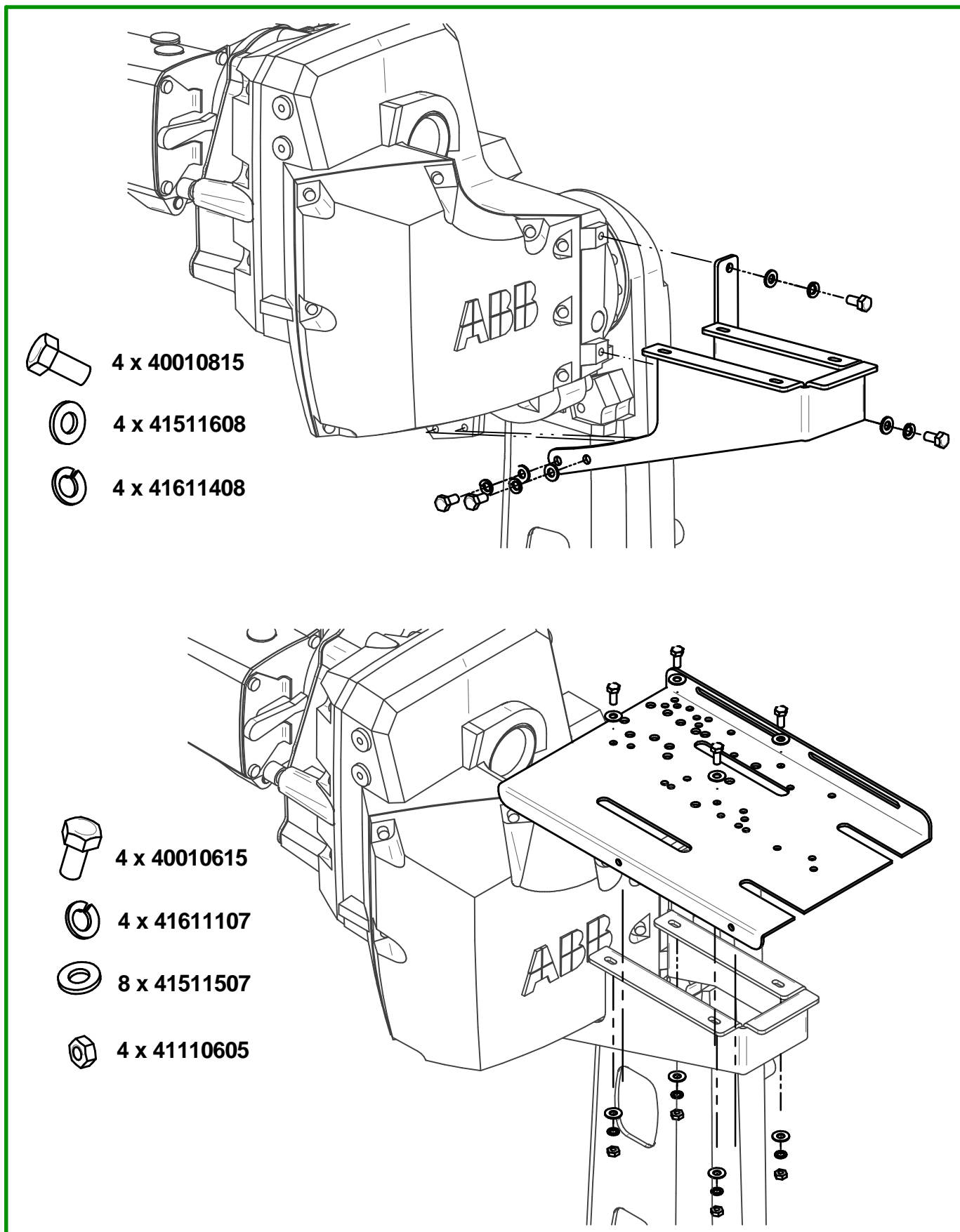





## 78861370




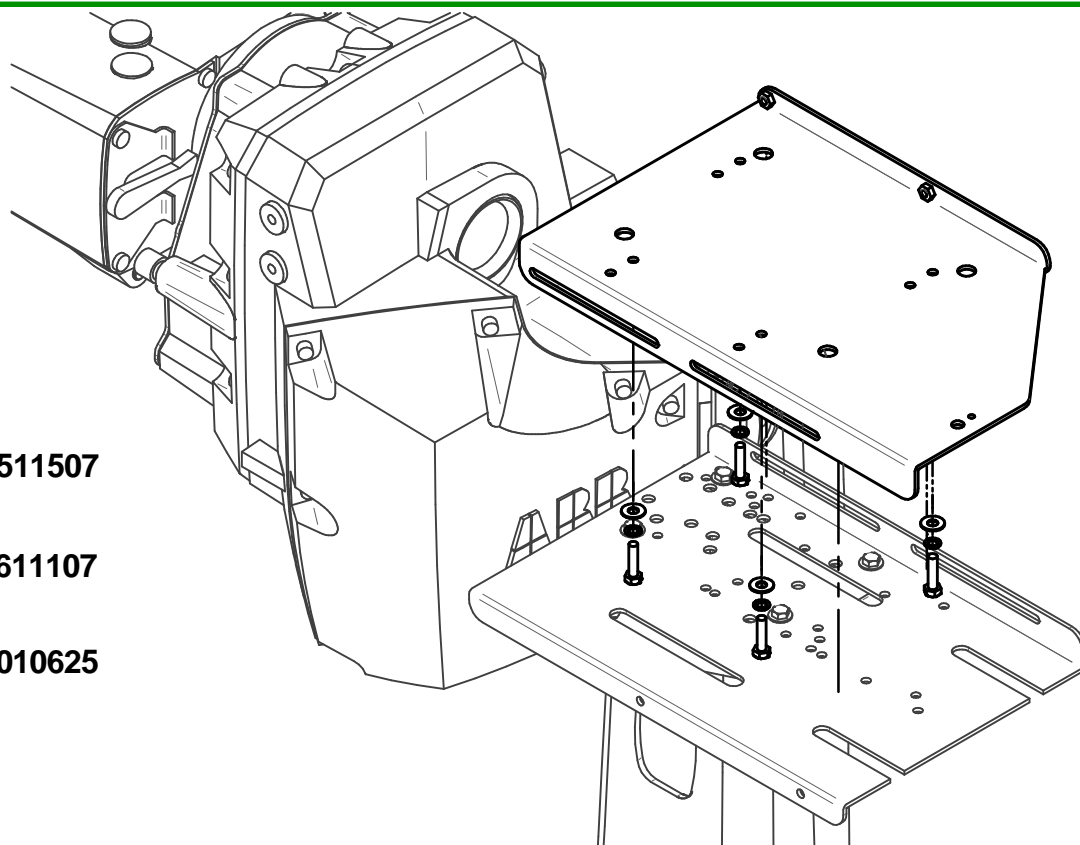



## RWF 30

 4 x 41511507


 4 x 41611107

 4 x 40010625

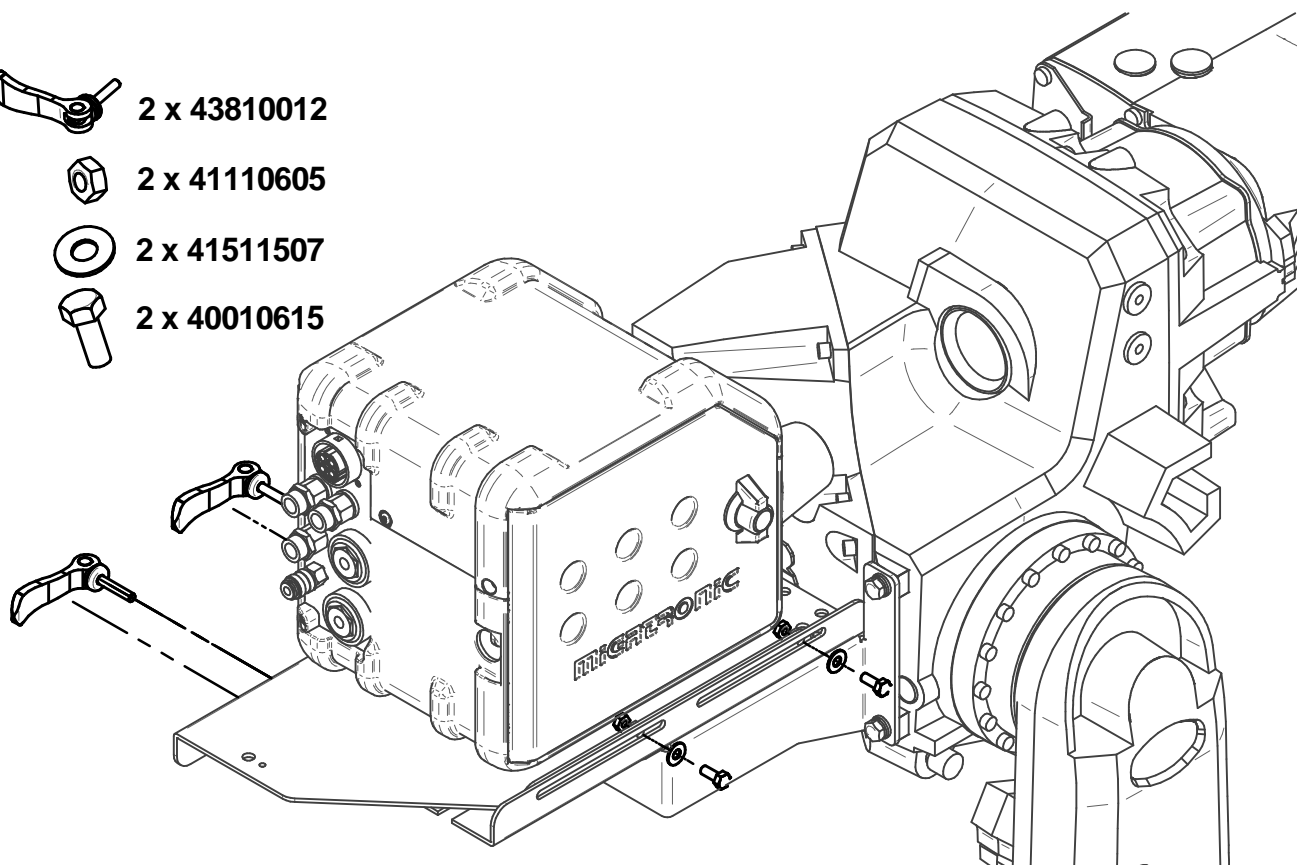


 2 x 43810012

 2 x 41110605

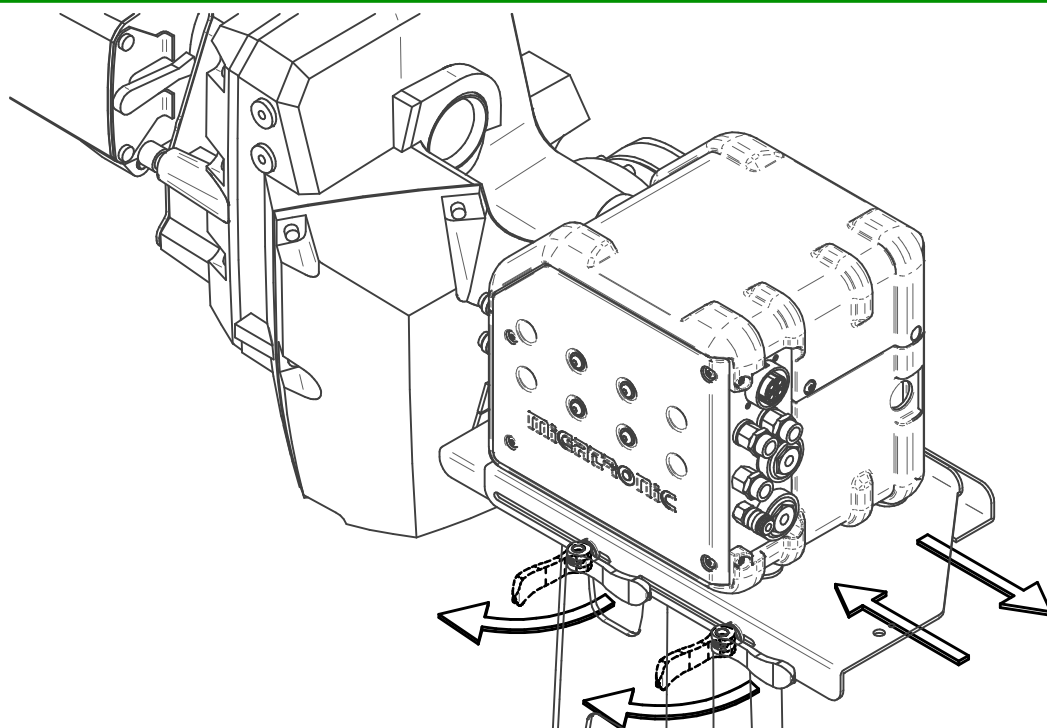
 2 x 41511507

 2 x 40010615

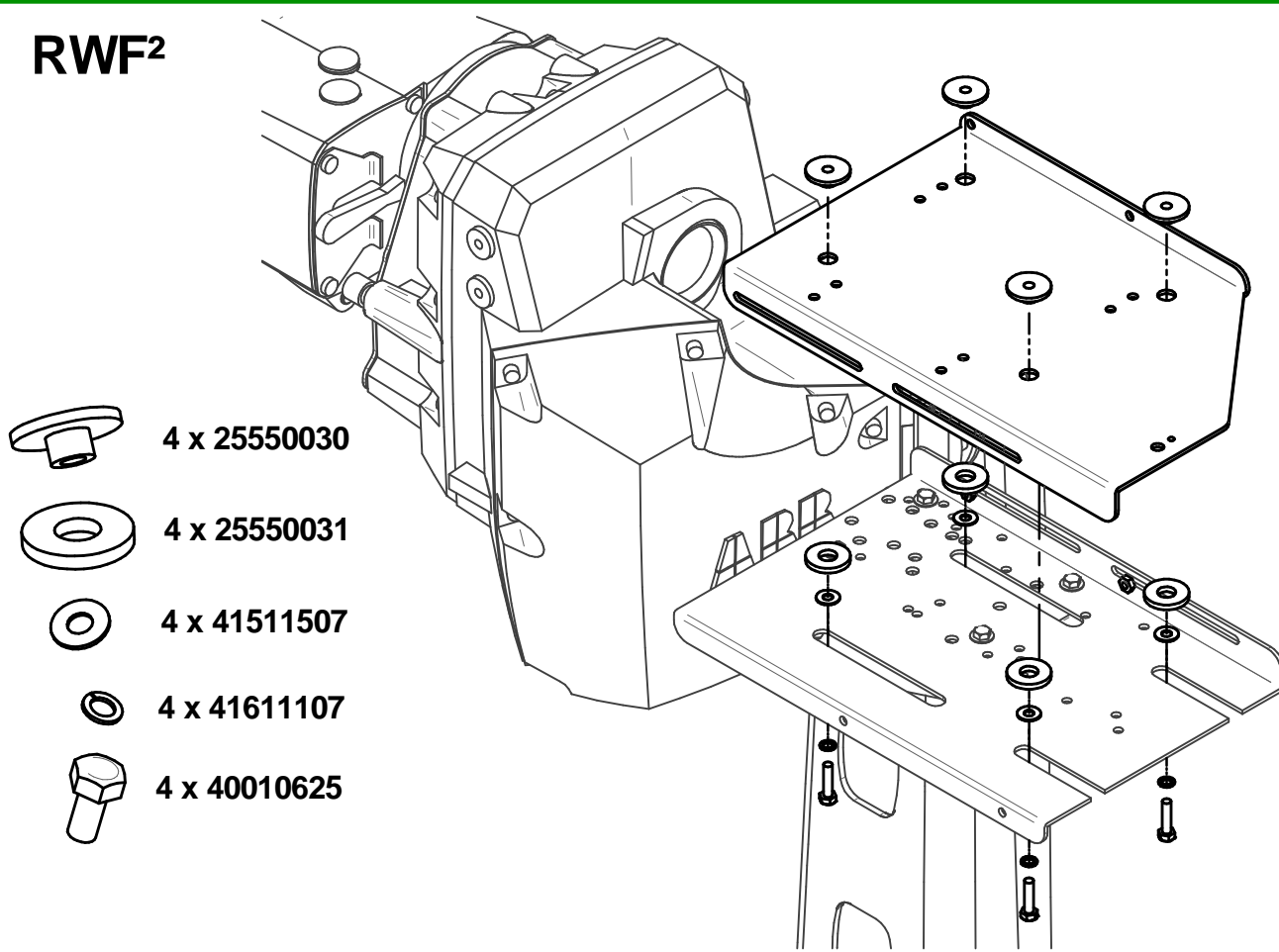




## RWF 30







## RWF<sup>2</sup>





## RWF<sup>2</sup>

-  2 x 43810012
-  2 x 41110605
-  2 x 41511507
-  2 x 40010615

