




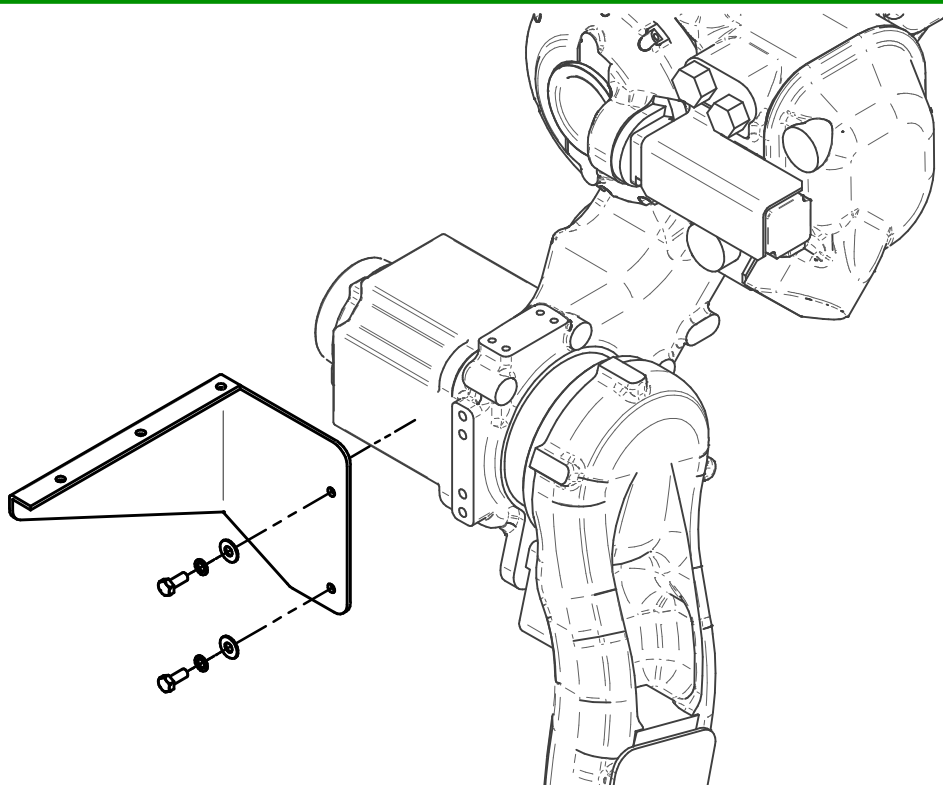


## 78861563


 2 x 41511507


 2 x 41611107


 2 x 40010615



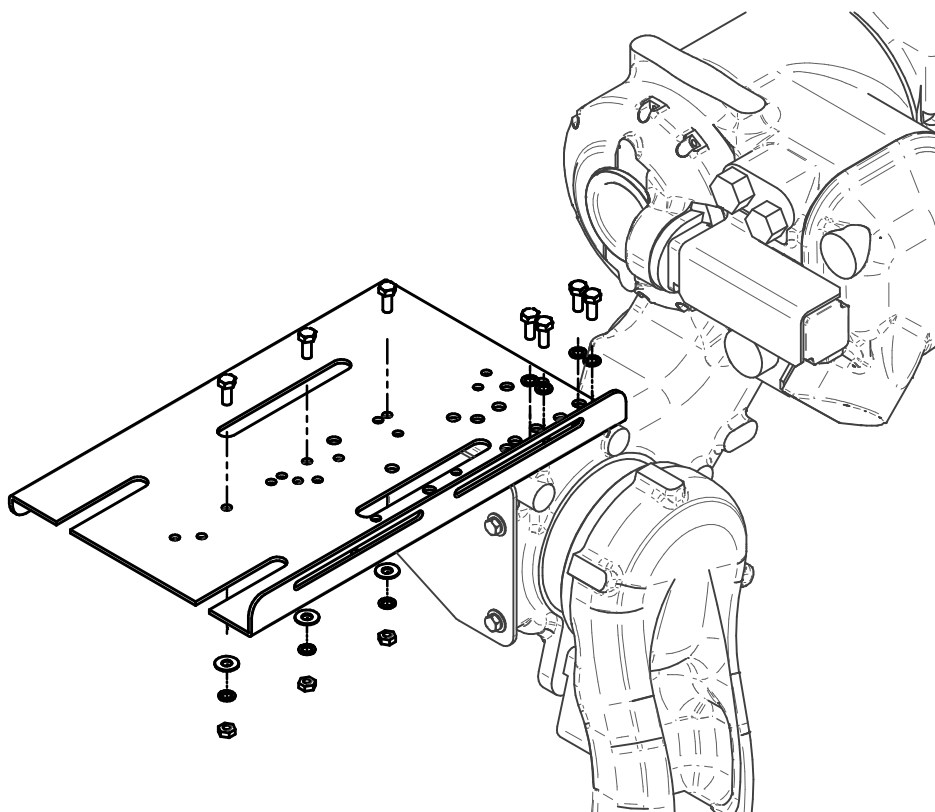
 7 x 40010615

 4 x 41611107

 3 x 41511507


 3 x 41611107

 3 x 41110605




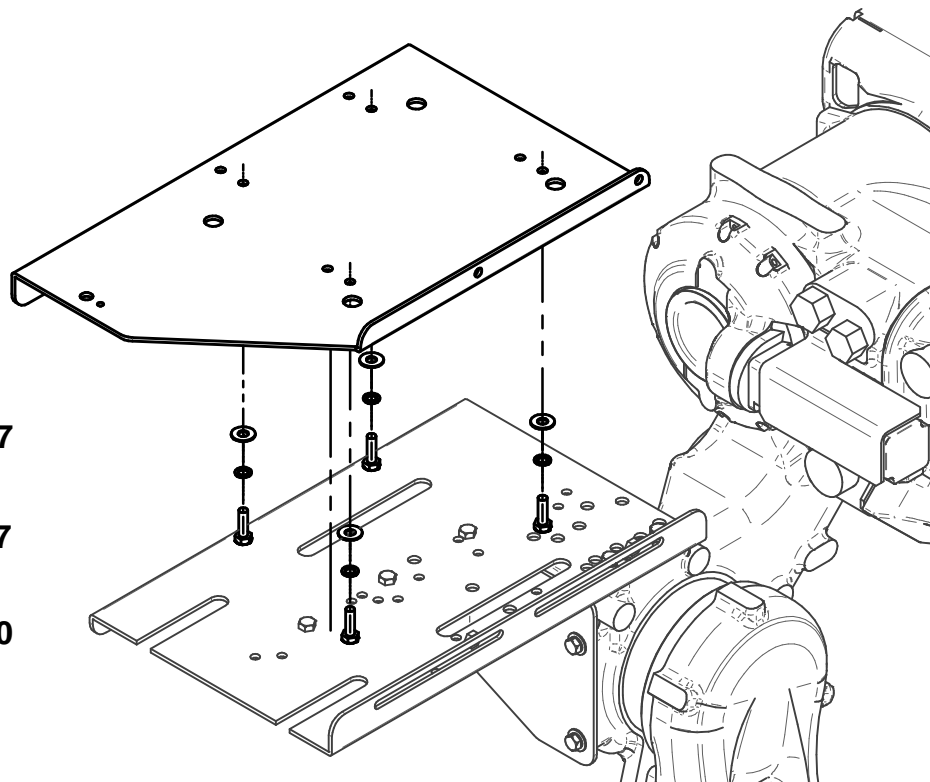



## RWF 30

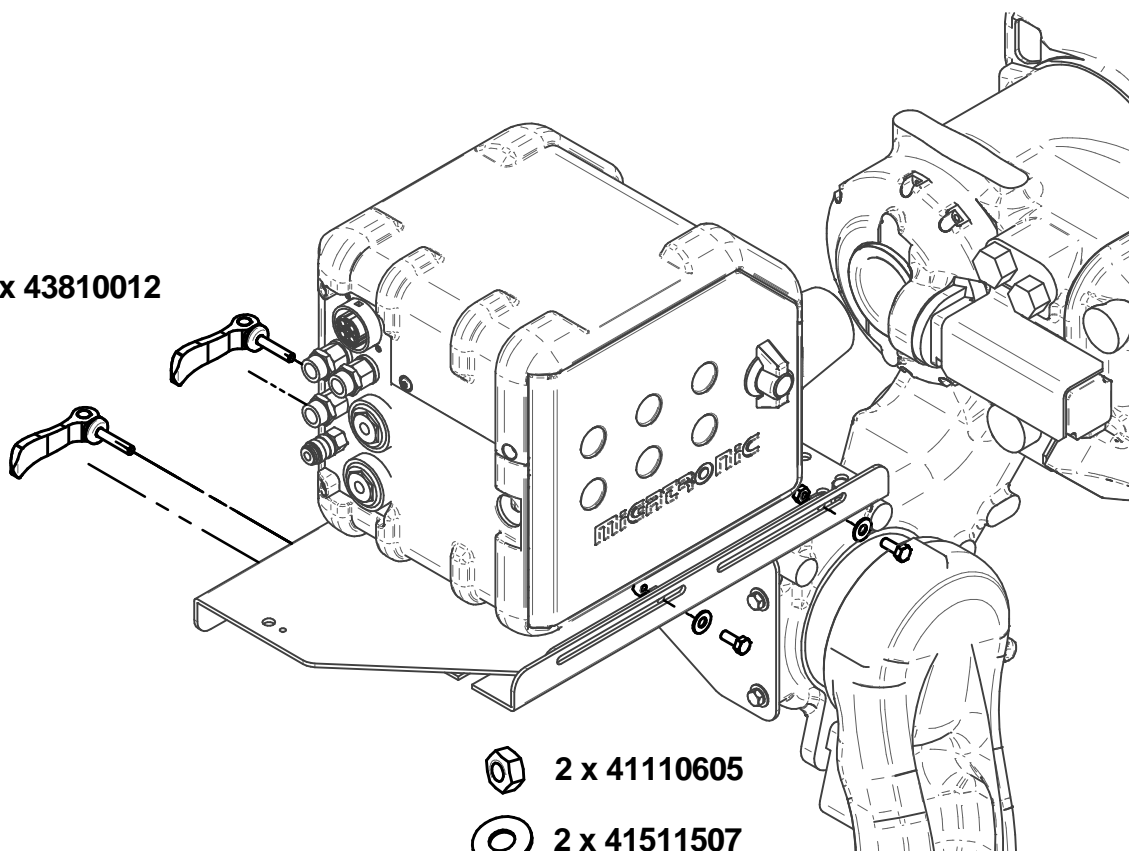
 4 x 41511507


 4 x 41611107


 4 x 40010620



 2 x 43810012



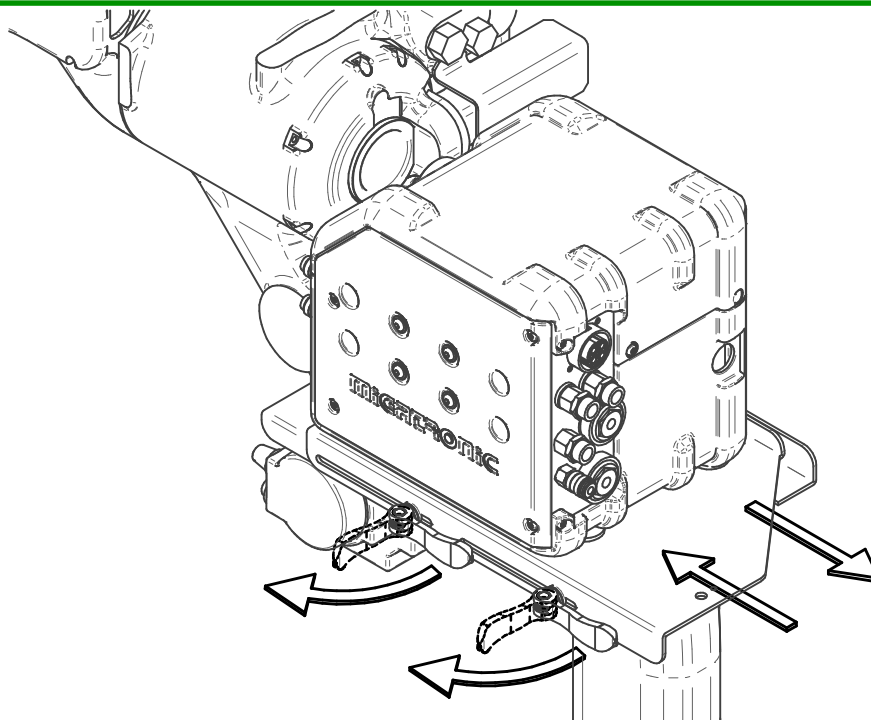
 2 x 41110605

 2 x 41511507

 2 x 40010615



## RWF 30



## RWF<sup>2</sup>



4 x 25550030



4 x 25550031



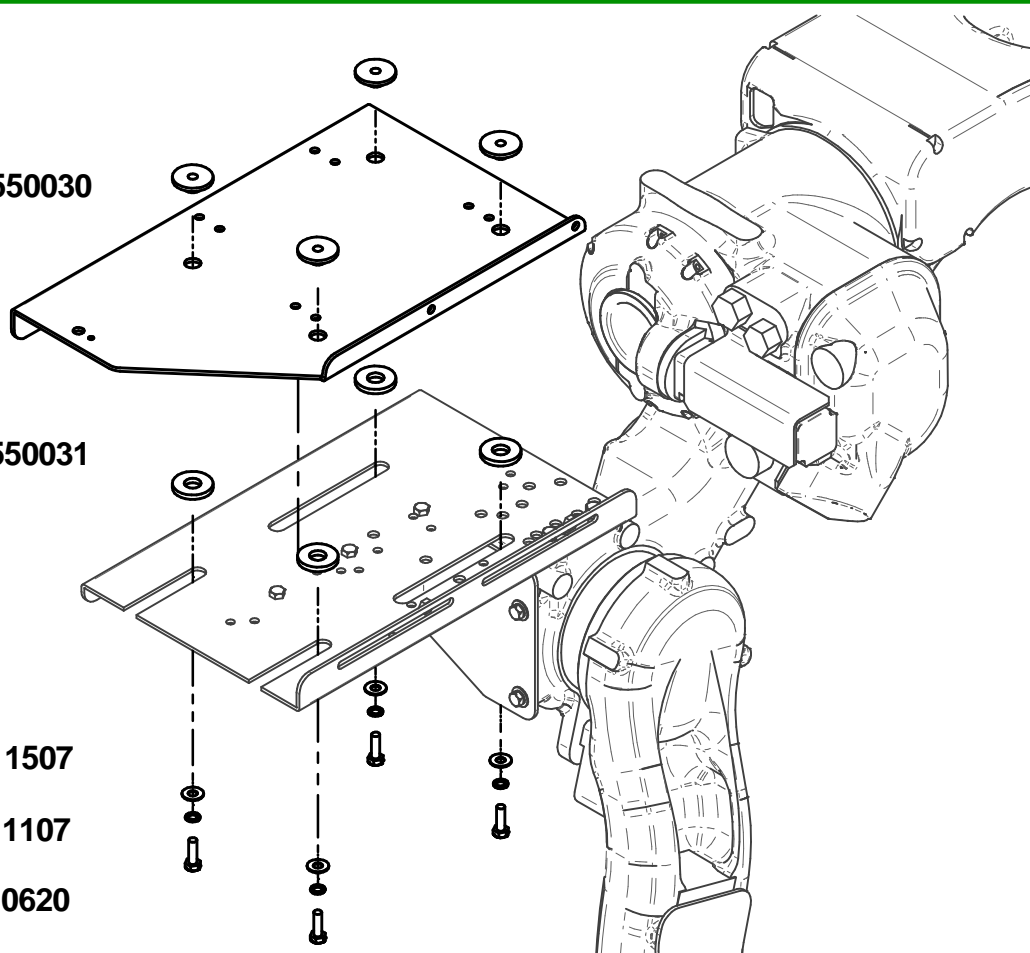
4 x 41511507



4 x 41611107




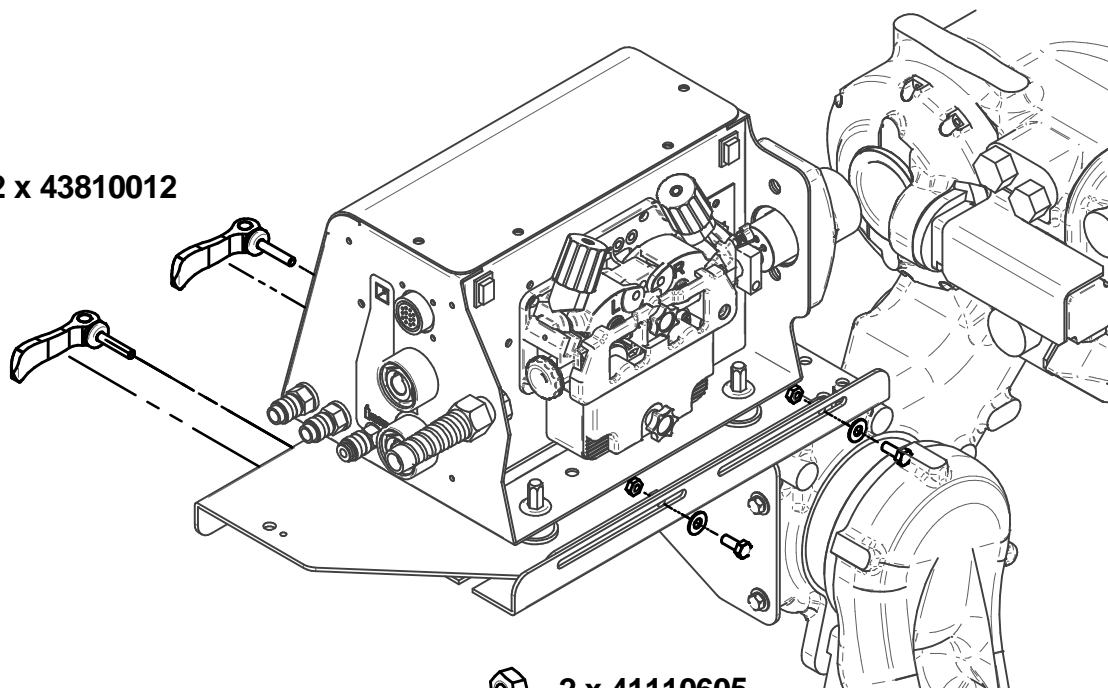
4 x 40010620






## RWF<sup>2</sup>

 2 x 43810012



 2 x 41110605

 2 x 41511507

 2 x 40010615

