


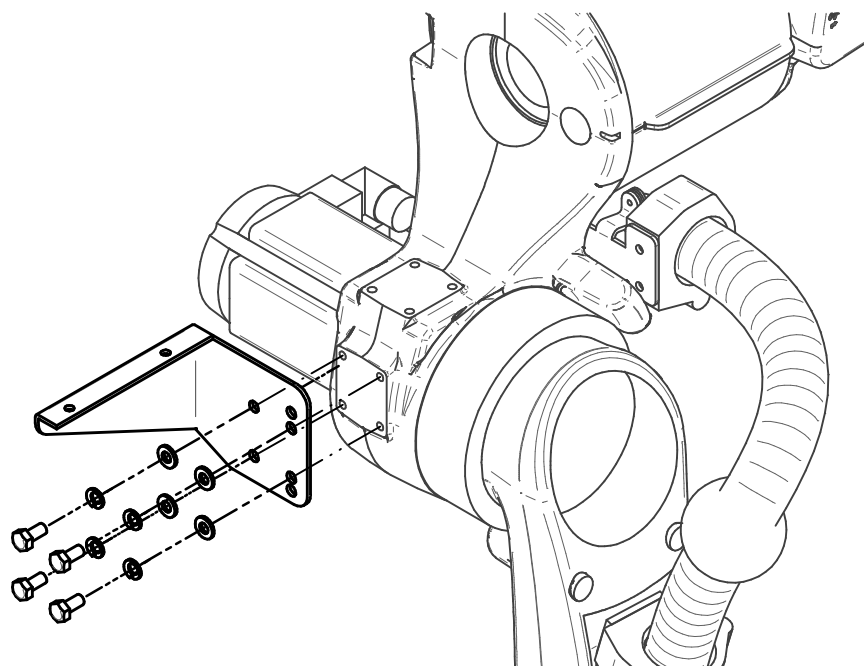


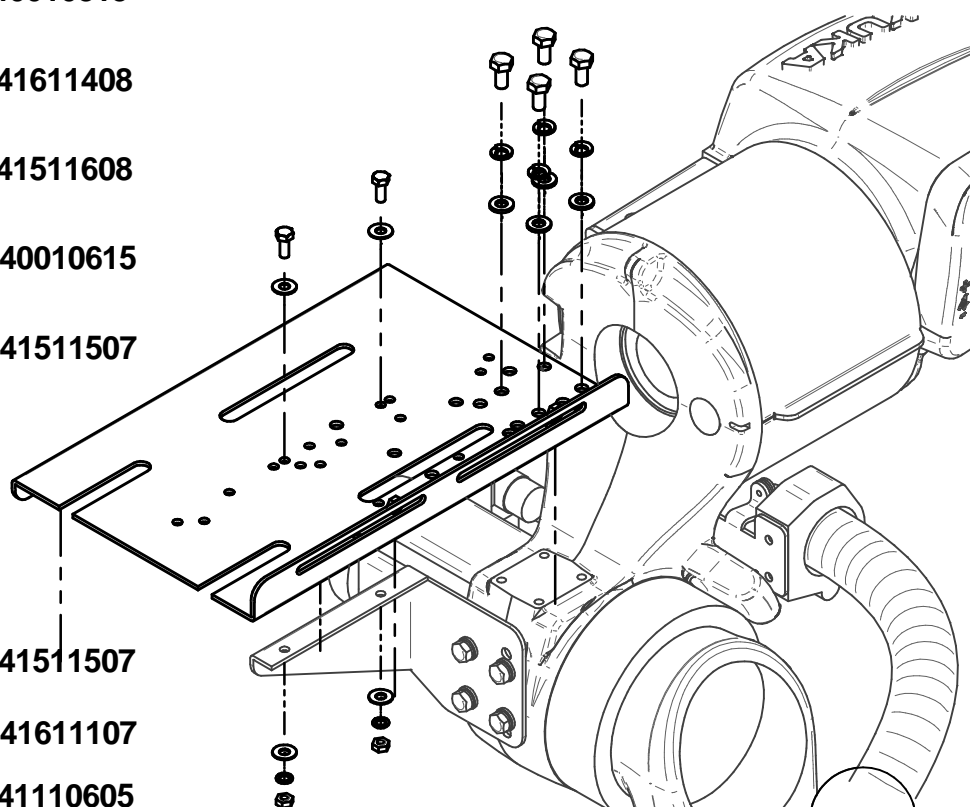





78861562

-  4 x 41511608
-  4 x 41611408
-  4 x 40010815




-  4 x 40010815
-  4 x 41611408
-  4 x 41511608
-  2 x 40010615
-  2 x 41511507





-  2 x 41511507
-  2 x 41611107
-  2 x 41110605

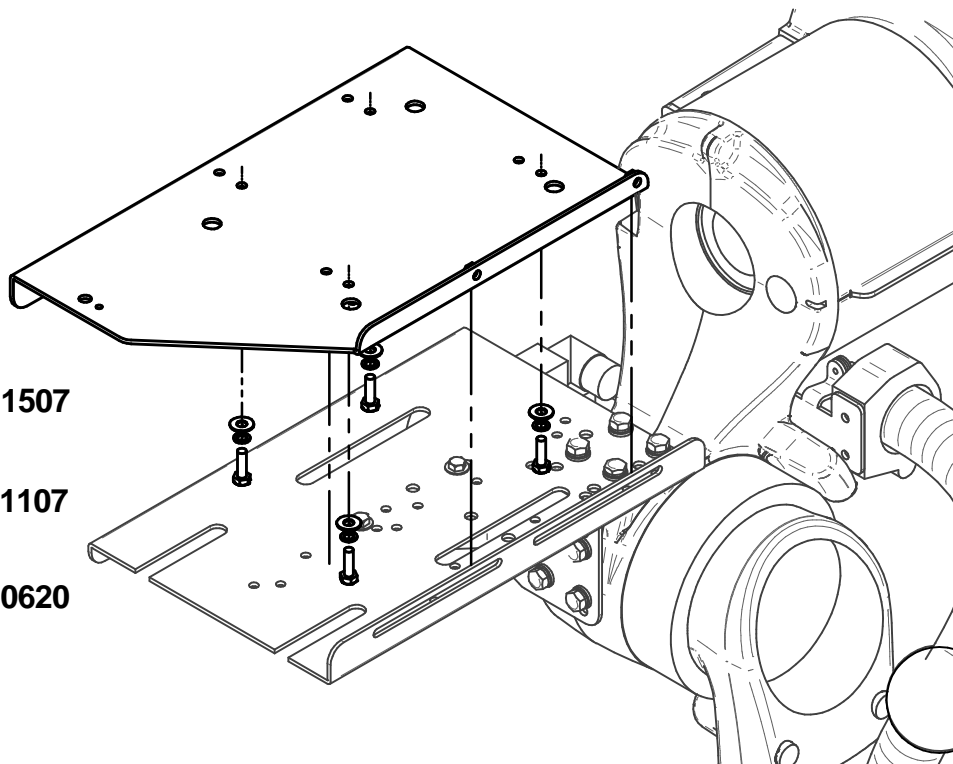



RWF 30

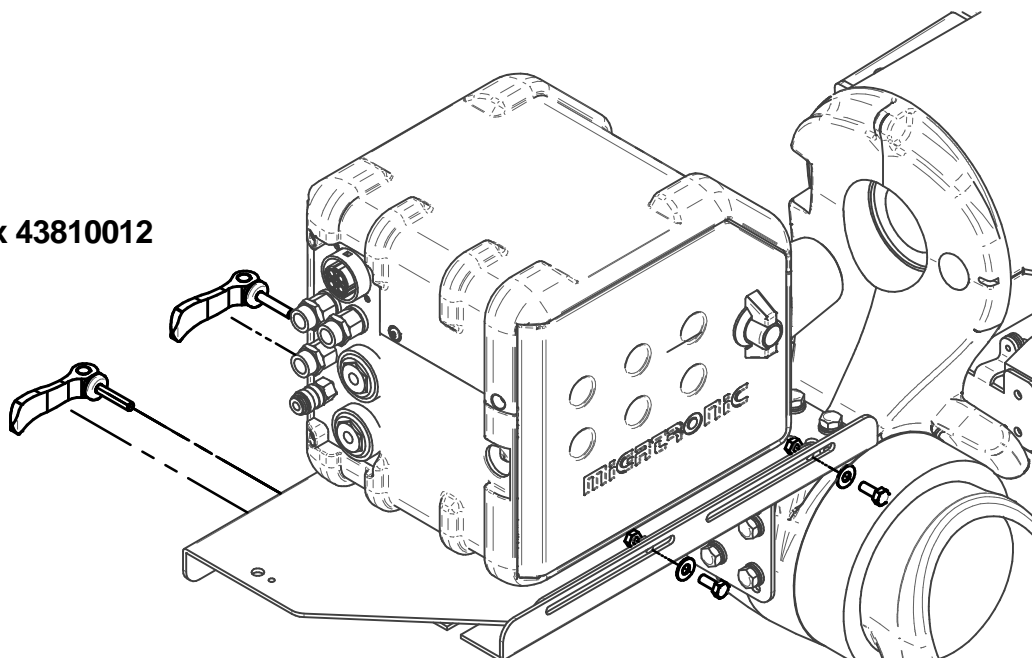
 4 x 41511507


 4 x 41611107


 4 x 40010620




 2 x 43810012



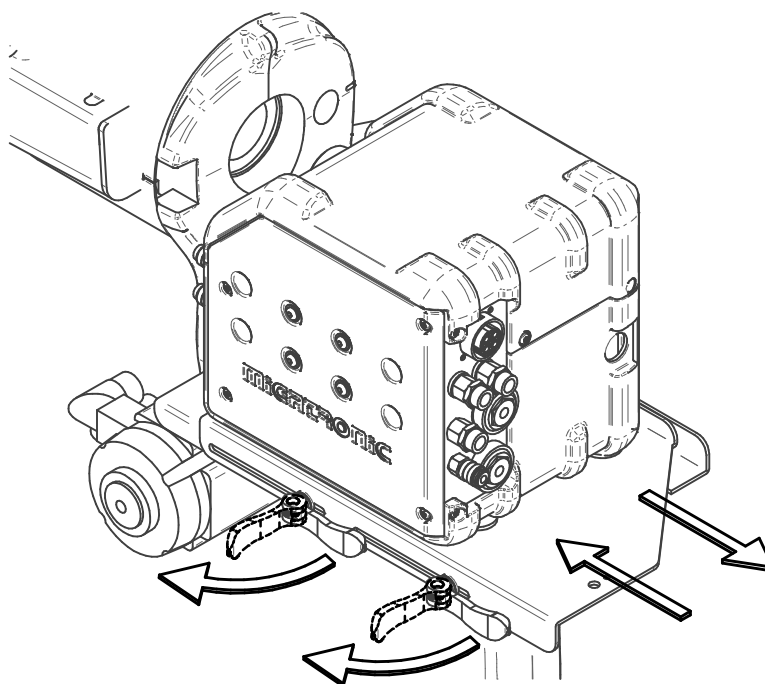
 2 x 41110605

 2 x 41511507

 2 x 40010615



RWF 30



RWF²



4 x 25550030



4 x 25550031



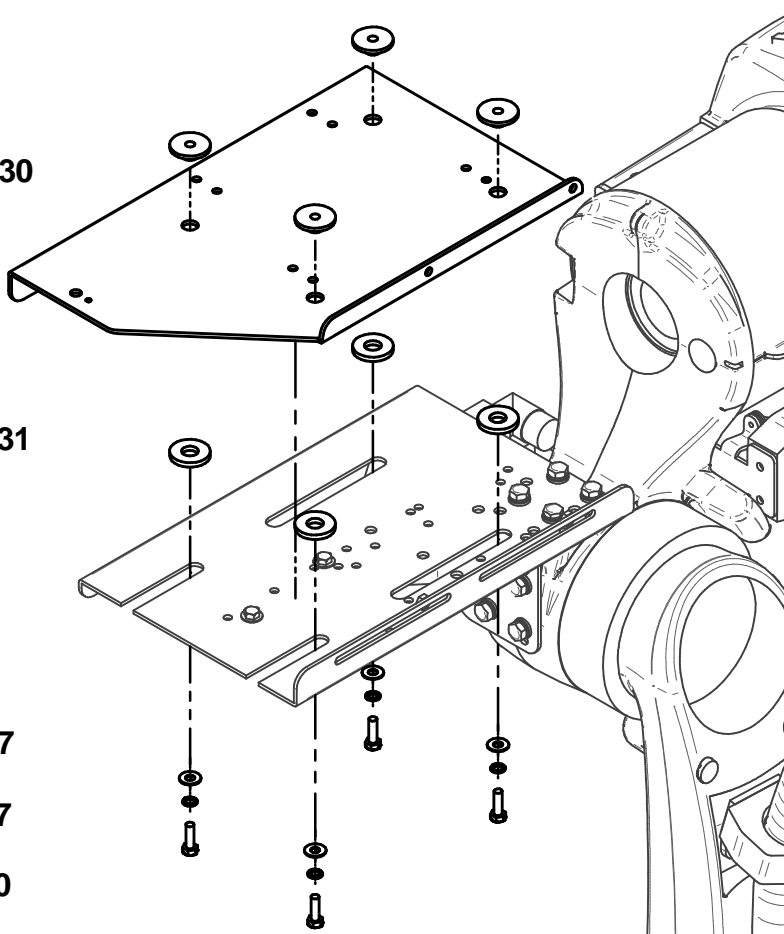
4 x 41511507



4 x 41611107




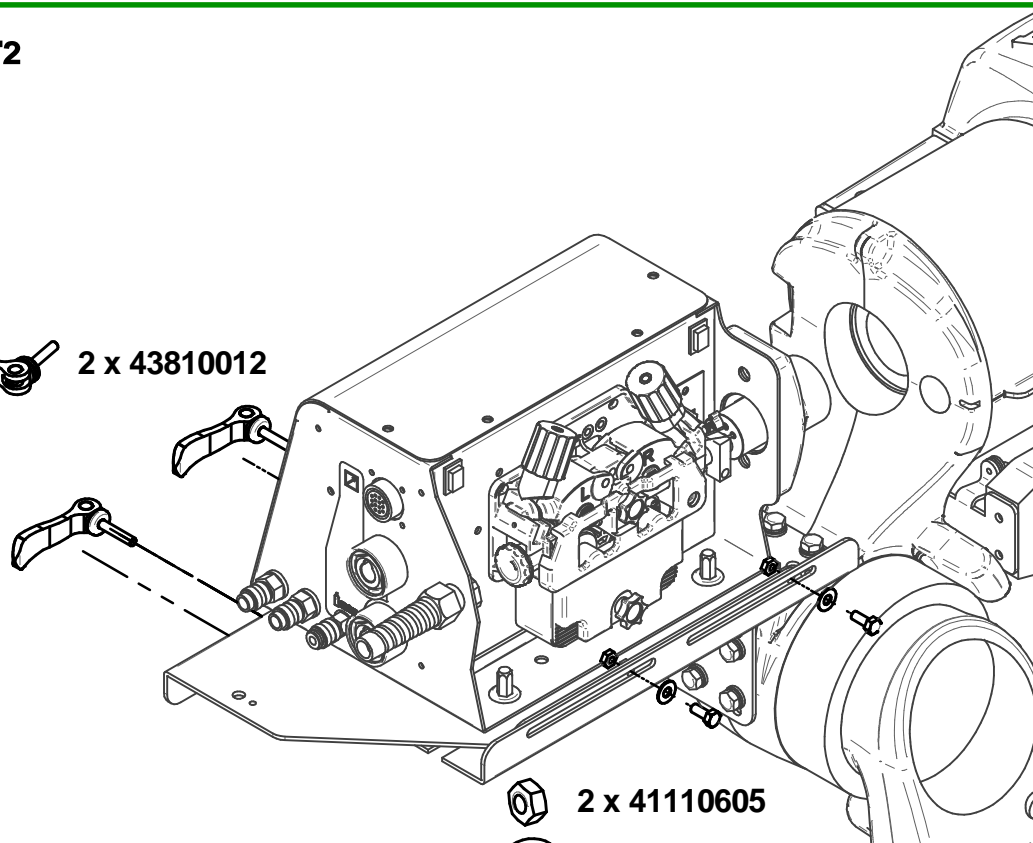
4 x 40010620








RWF²

 2 x 43810012



 2 x 41110605
 2 x 41511507
 2 x 40010615

