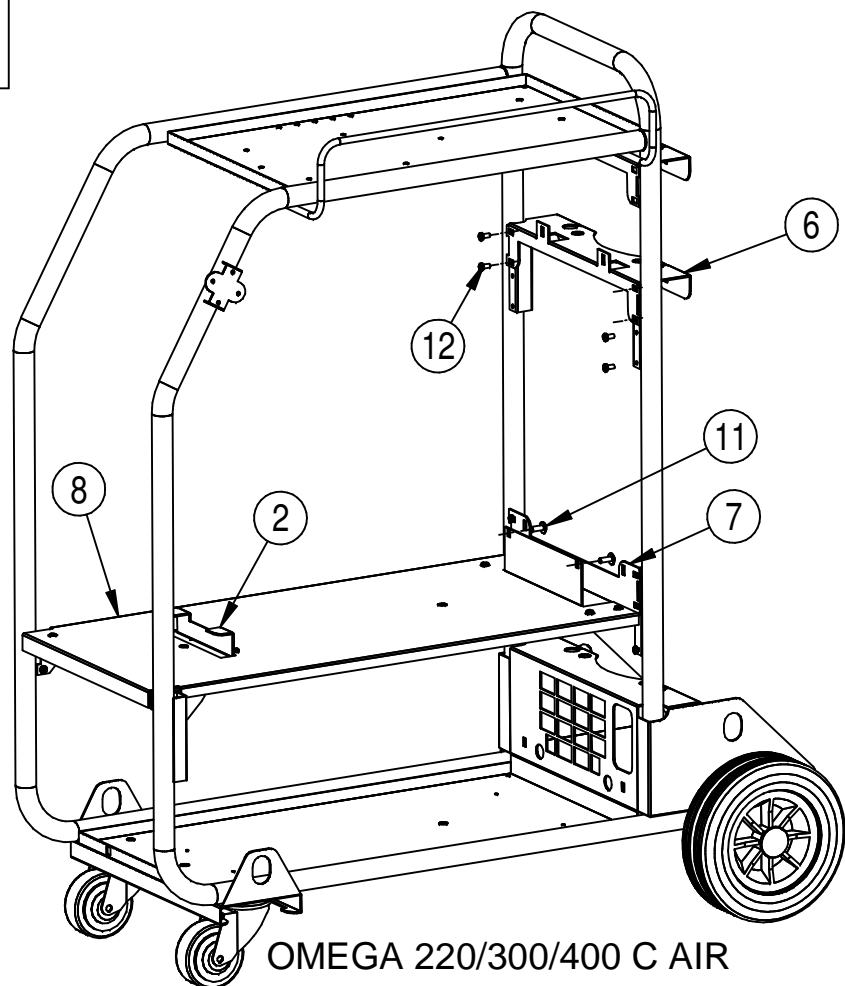
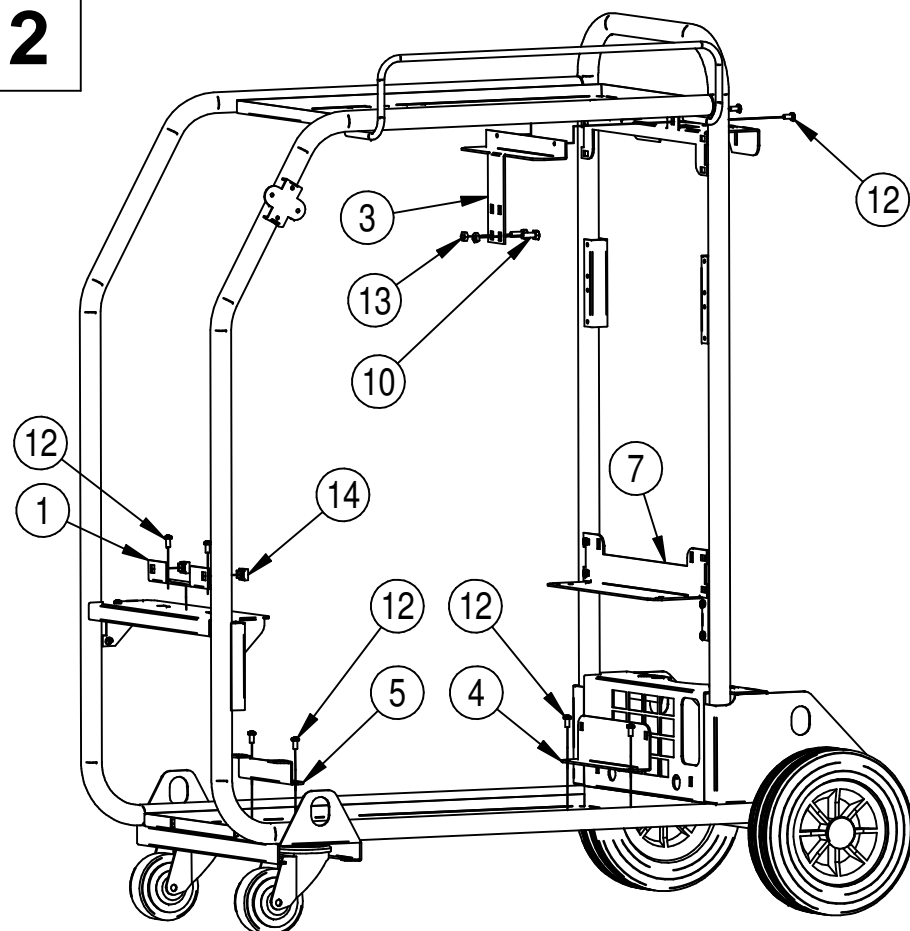


1



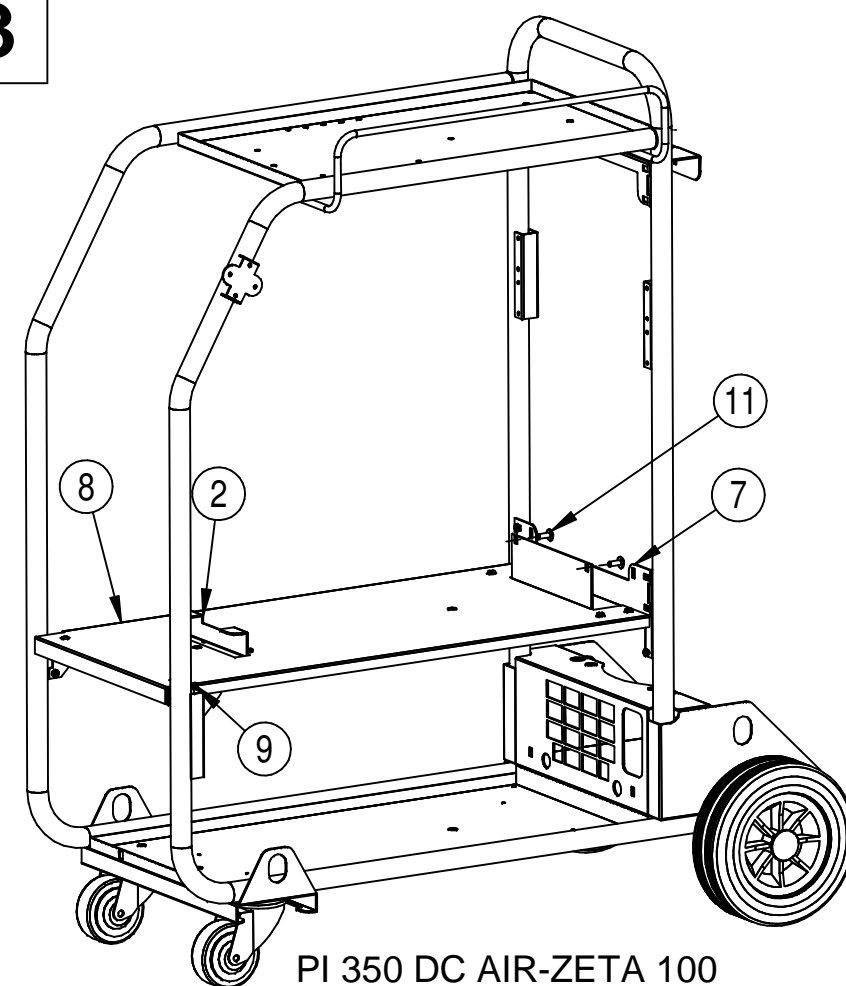
OMEGA 220/300/400 C AIR

2



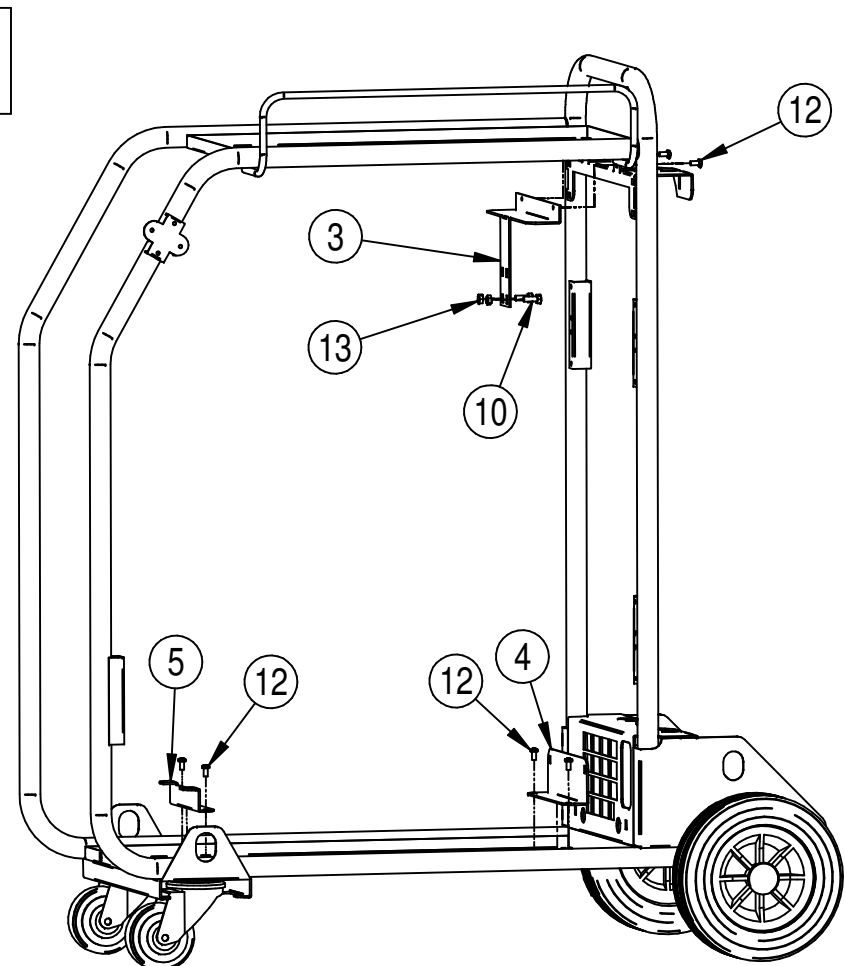
OMEGA 400 C W

3



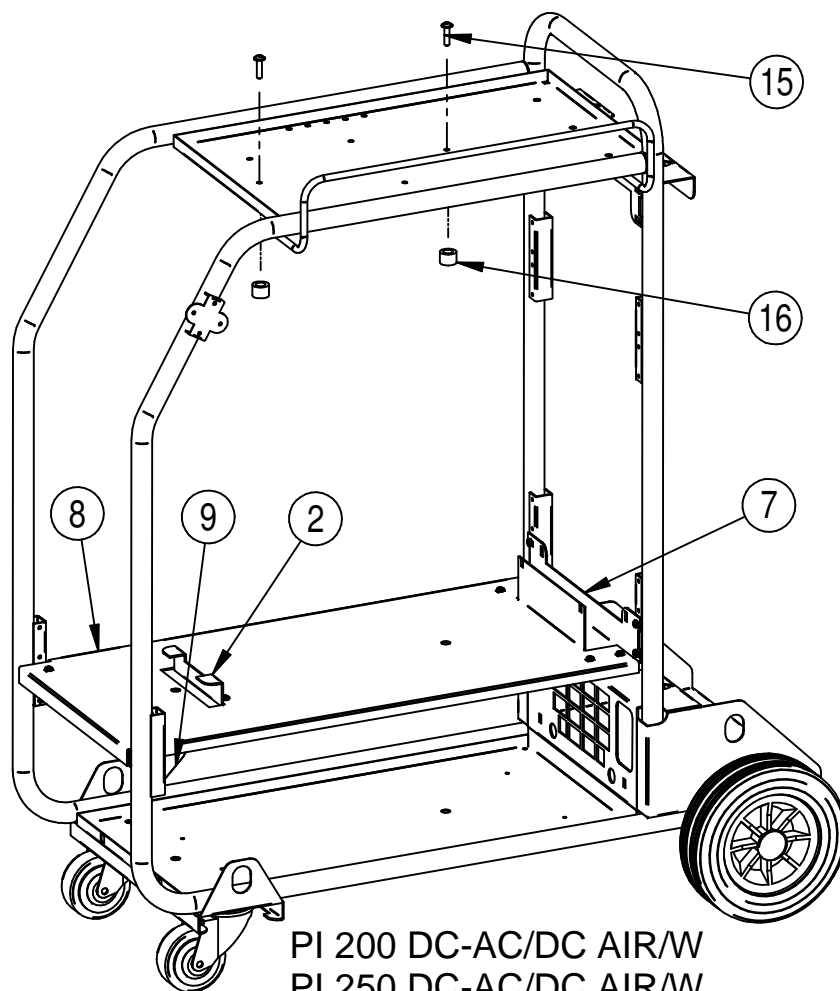
PI 350 DC AIR-ZETA 100

4



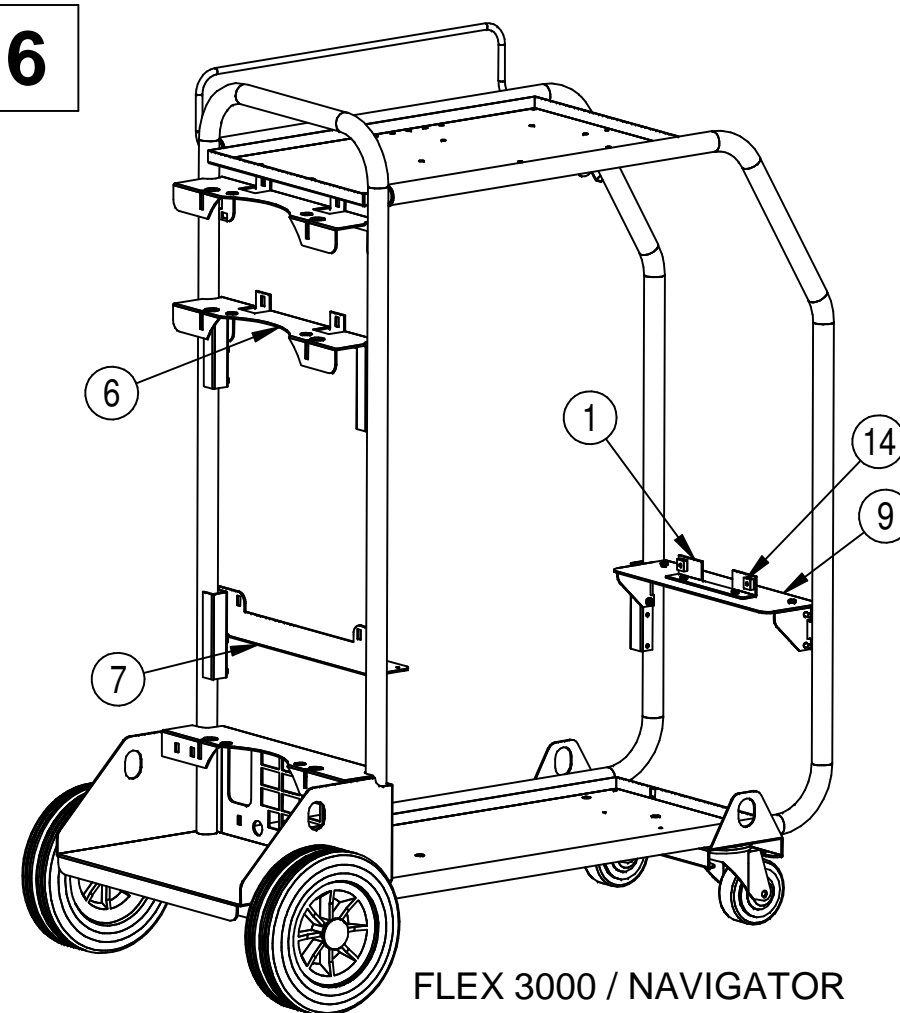
PI 350 DC W

5



PI 200 DC-AC/DC AIR/W
PI 250 DC-AC/DC AIR/W

6



FLEX 3000 / NAVIGATOR

**TROLLEY 4-WHEEL W/TOOL TRAY
78857026**

Item no.	Part no.	Quan.	Title
* 1	24611301	1	FRONT ASSEMBLY FITT. TROLLEY
2	24611755	1	FITTINGS FRONT FOR COOLING UNIT
* 3	24611863	1	FITT.REAR PLATE-FLEX TROLLEY
* 4	24611865	1	FITT.REAR PL.-BOTT.FLEX TROLL.
* 5	24611867	1	FITT.BOTT.PL.-BOTT.FLEX TROLL.
6	24611876	1	U.CYLIND.FIT.F.TROLLEY NAV3000
7	24611877	1	INST.FIT.F.TROLLEY NAV3000
8	24611880	1	TRAY F.POWERSOURCE TROLLEY
9	24611892	1	FR.CARRY FIT.F.TROLLEY NAV3000
* 10	40010616	2	SET SCREW DIN 933-A2 M 6 x 16
* 11	40060616	2	FLANGE HEAD ALLEN M6X16 BLACK
12	40840510	22 (*8)	TAPTITE M5X10PH T25 BLACK
* 13	41110605	2	NUT M6 X 5MM
* 14	41318406	2	CLIPS-NUT M6
* 15	40060625	2	SOCKET BUTTON SCREW M6 x 25
* 16	26150010	2	SPACER Ø20/Ø12 x 14

* = loose