

CAD NAME: PDE.P01 \* RX RESISTORS MOUNTED ON REAR SIDE OF PCB. DIODES NOT MARKED = 1N4148

**MI** AUTOMATION A/S  
**micatron** DK-9440 AABYBRØ

REV: A/891027EMN B/940607

KONST: EMN /PH

DATE: 880805

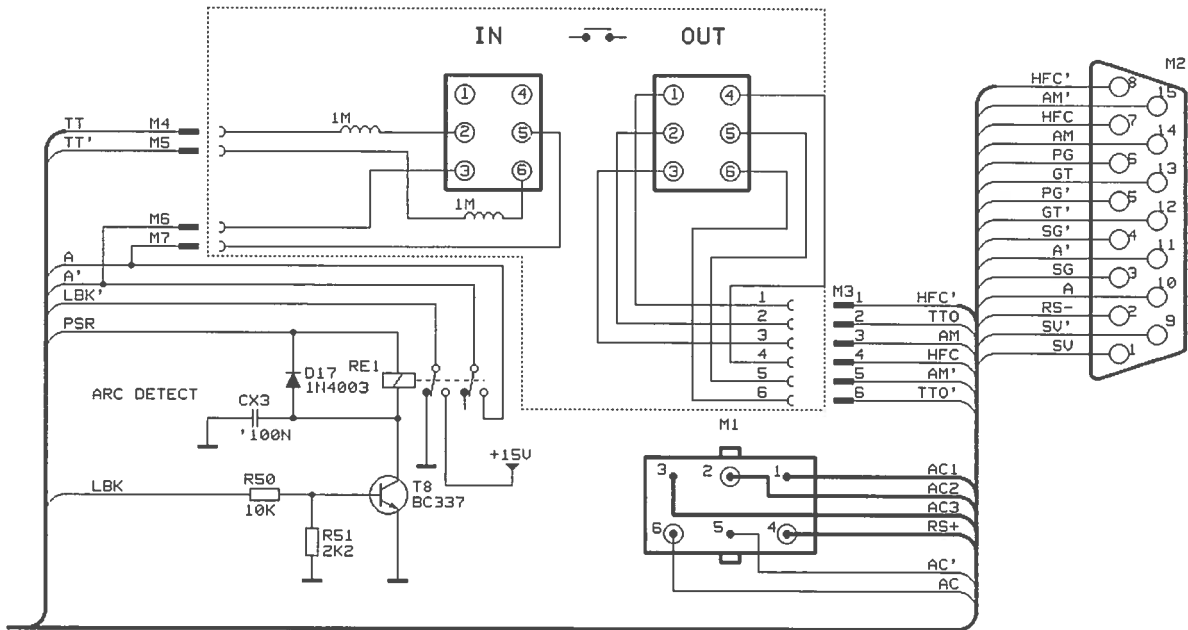
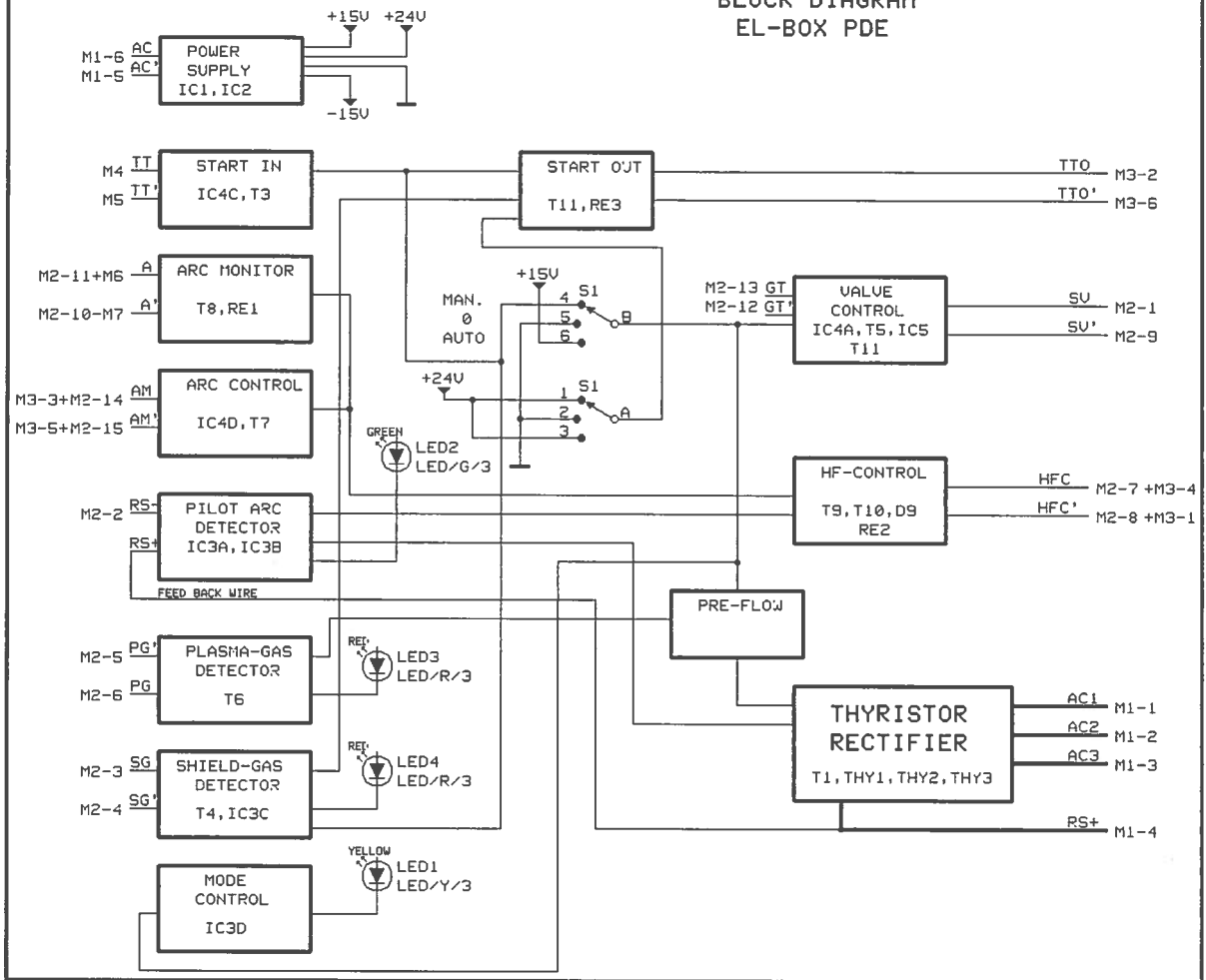
DIAGRAM

EL-BOX PDE

NO: 71610020-1

PAGE: 1 OF 3

BLOCK DIAGRAM  
EL-BOX PDE



CAD NAME: PDE.P02

REV: A/891027EMN B/940607



AUTOMATION A/S

**micatronic**

DK-9440 AABYBRO

KONST: EMN/PH

DATE: 880805

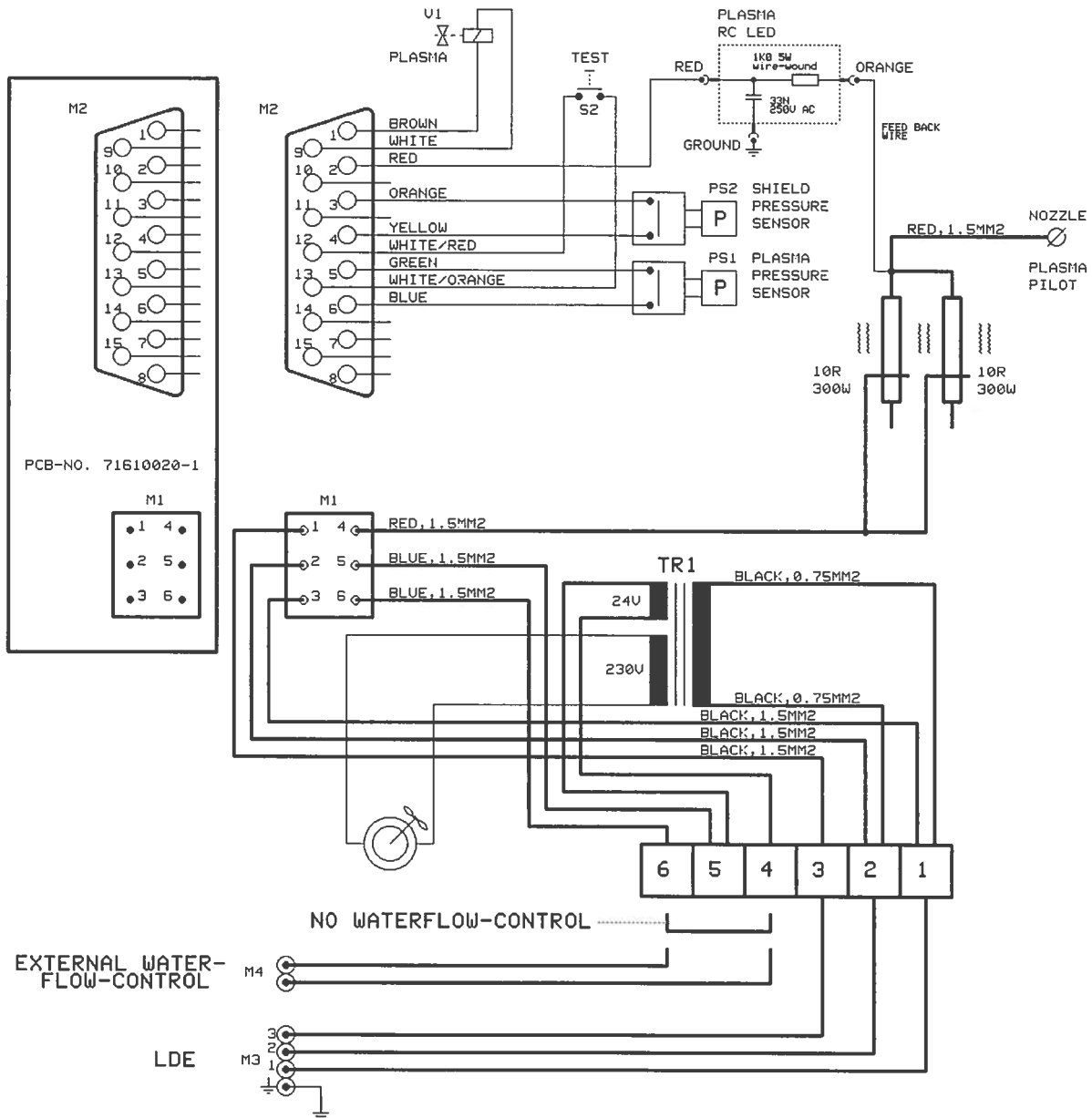
DIAGRAM

EL-BOX PDE

NO: 71610020-1

PAGE: 2 OF 3

# CONNECTIONS DIAGRAM PDE



CAD NAME: PDE.p83



**AUTOMATION A/S**

REV: A/891023

B/940607  
RC FILTER ADDED

**migatronik**

DK-9440 AABYBRO

KONST: EMN/PH

DATE: 881128

DIAGRAM

**PDE CONNECTIONS**

NO: 79110020-1

PAGE: 3 OF 3

