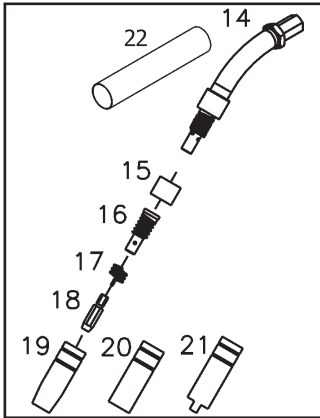




Wear parts for Air-cooled MIG Welding Torches

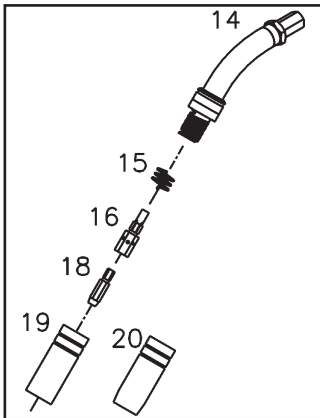
Wear parts for ML 150 TWIST / ML 161 / ML 150C



Position no.	Art. no.	Description	No of pcs.
14	*	Swan neck ML150 MIG-A Twist	1
	□	Swan neck ML 161 w/fitting	1
	Δ	Swan neck ML 150C w/fitting	1
15	* □ Δ	Insulating bush	10
16	*	Contact nozzle	10
	* □	Contact nozzle ML 161, ML150C	10
17	* □ Δ	Retaining clamp ML120/130/150	10
18	* □ Δ	CONTACT TIP. PLEASE SEE PAGE 6 - 7	50
19	* □ Δ	Gas Nozzle ML120/130/150 Conic	10
20		Gas Nozzle ML120/130/150 Cylindric	10
21		Gas Nozzle ML120/130/150 SPOT	10
22		Protection cover	1
	81100252	Wearparts box ML150 Ergo/Twist 0.6 steel	1
	81100223	Wearparts box ML150 Ergo/Twist 0.8 steel	1

* = ML150 pre-assembled as standard. □ = ML161 pre-assembled as standard. Δ = ML150C pre-assembled as standard

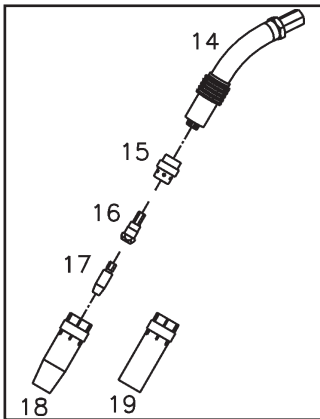
Wear parts for ML 250 TWIST



Position no.	Art. no.	Description	No of pcs.
14		Swan neck ML250 MIG-A Twist	1
15		Retaining clamp ML250	10
	*	Tip adaptor ML250 M6 37mm Tip adaptor ML250 M6 35mm	10 10
18	*	CONTACT TIP. PLEASE SEE PAGE 6 - 7	50
19		Gas Nozzle ML250 Cylindric	10
20	*	Gas Nozzle ML250 Conic	10
	81100253	Wearparts box ML 250 0.6 steel	1
	81100224	Wearparts box ML 250 0.8-1.0 steel	1
	81100220	Wearparts box ML250 1.0 alu	1

* = Pre-assembled as standard

Wear parts for ML 240 TWIST / Manager ML 240 / ML 241



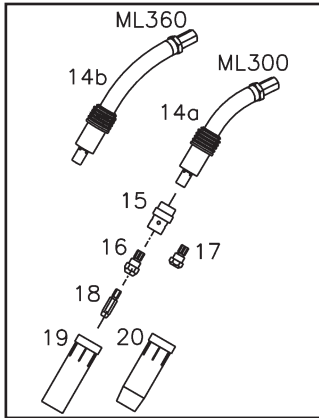
Position no.	Art. no.	Description	No of pcs.
14		Swan neck ML 240 MIG-A Twist	1
		Swan neck ML 240 Manager	1
		Swan neck ML 241 w/fitting	1
15	*	Gas diffuser ML/MV24 Black	10
		Gas diffuser ML/MV24 White	10
16	*	Tip adaptor ML-MV240 CuCrZr 5mm	10
		Tip adaptor ML-MV240 brass 5mm	10
		Tip adaptor ML-MV240 brass 7mm	10
17		CONTACT TIP. PLEASE SEE PAGE 6 - 7	10
18	*	Gas Nozzle ML/MV240 Conic	10
19		Gas Nozzle ML/MV240 Cylindric	10
	81100214	Wearparts box ML240 0.6-0.8 steel	1
	81100231	Wearparts box ML240 1.0 steel	1
	81100221	Wearparts box ML/MV240 1.0 alu	1

* = Pre-assembled as standard



Wear parts for Air-cooled MIG Welding Torches

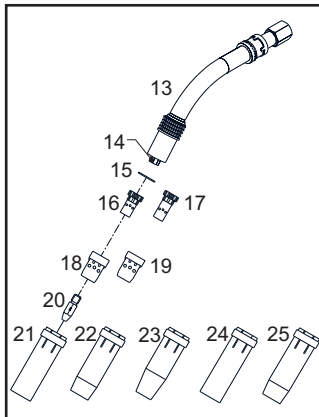
Wear parts for ML 300 TWIST/ML 360 TWIST/Manager ML 360



Position no.	Art. no.	Description	No of pcs.
14a	80152502	Swan neck ML300 MIG-A Twist	1
14b	80152602	Swan neck ML360 MIG-A Twist	1
15	* 80120301 80120306	Gas diffuser ML300/360 White Gas diffuser ML360 32mm White	10 10
16	* 80112636 80112637 80112640 80112638 80112639	Tip adaptor ML300/360 M8-6 25mm Tip adaptor ML300/360 M8-6 32mm Tip adaptor ML300/360 M8-6 25mm Tip adaptor ML300/360 M8-8 28mm Tip adaptor ML300/360 M8-8 32mm	10 10 10 10 10
17	80110026 80110300	Tip adaptor ML300/360 M8-6 22mm Tip adaptor ML300/360 M8-8 23mm	10 10
18	* 80131201	CONTACT TIP. PLEASE SEE PAGE 6 - 7	10
19	80240300 80140701	Gas nozzle ML/MV Cylindric Gas nozzle ML360 Cylindric nickelled	10 10
20	* 80240303 80140700	Gas nozzle ML/MV Conic Gas nozzle ML360 Conic nickelled	10 10
	81100232 81100254	Wearparts box ML 300 1.0 steel Wearparts box ML 300 1.0 steel CuCrZr	1 1

* = Pre-assembled as standard

Wear parts for ML 380 TWIST



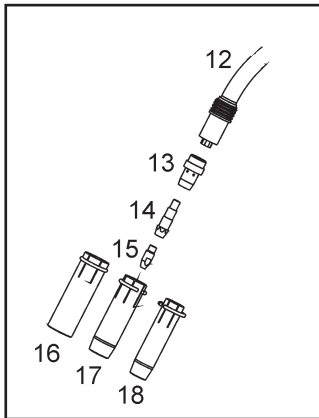
Position no.	Art. no.	Description	No of pcs.
13	80152605	Swan neck ML 380 MIG-A Twist	1
14	80110413	Tip holder adaptor M10-1*20L for ML 380HD	10
15	* 80220326	Insulating washer ML 380HD KD	1
16	* 80110406	Tip adaptor MV450/550 CuCrZr, 25mm	10
17	80110409	Tip adaptor MV450/550 CuCrZr, 29mm	10
18	* 80220309	Gas diffuser MV450/550, white	10
19	80220307	Gas diffuser MV450/550, cylindric	10
20	80231207	CONTACT TIP. PLEASE SEE PAGE 6 - 7	10
21	80240300	Gas nozzle ML/MV Cylindric	10
22	* 80240303	Gas nozzle ML/MV Conic	10
23	80240304	Gas nozzle ML/MV super Conic	10
24	80140701	Gas nozzle ML360 Cylindric nickelled	10
25	80140700	Gas nozzle ML360 Conic nickelled	10

* = Pre-assembled as standard



Wear parts for Air-cooled MIG Welding Torches

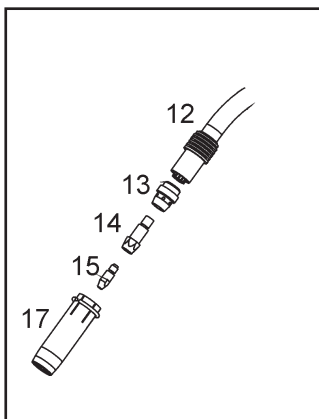
Wear parts for ML 400 TWIST



Position no.	Art. no.	Description	No of pcs.
12	80152702	Swan neck ML400 MIG-A Twist	1
13a	* 80120310	Gas diffuser ML400 White	10
13b	80120311	Gas diffuser ML400 Ceramic	10
13c	* 80120312	Gas diffuser ML400 Black	10
14a	* 80110040	Tip adaptor ML400 M8-8 43mm	10
14b	80110041	Tip adaptor ML400 M8-8 47mm	10
15	80231103	CONTACT TIP. PLEASE SEE PAGE 6 - 7	50
16	80140722	Gas Nozzle ML400 Cylindric	10
17	* 80140721	Gas Nozzle ML400 Conic ø 18mm	10
18	80140720	Gas Nozzle ML400 Conic ø 14mm	10

* = Pre-assembled as standard

Wear parts for ML 500 TWIST



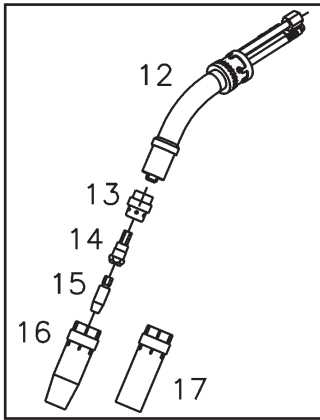
Position no.	Art. no.	Description	No of pcs.
12	80152802	Swan neck ML500 MIG-A Twist	1
13	* 80120313	Gas diffuser ML500 White	10
14	80110042	Tip adaptor ML500 M10/M8 43mm, CuCrZr	10
15	* 80231103	CONTACT TIP. PLEASE SEE PAGE 6 - 7	50
17	* 80140723	Gas Nozzle ML500 Conic ø 20mm	10

* = Pre-assembled as standard



Wear parts for Water-cooled MIG Welding Torches

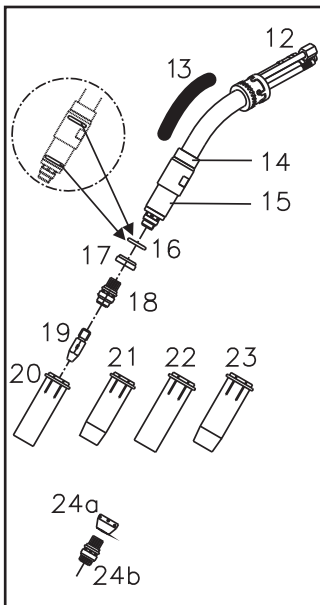
Wear parts for MV 240 TWIST / Manager MV 240



Position no.	Art. no.	Description	No of pcs.
12	80252101 80251107	Swan neck MV240 MIG-A Twist Swan neck MV 240 Manager	1 1
13a	* 83077480	Gas diffuser ML/MV24 Black	10
13b	83077481	Gas diffuser ML/MV24 White	10
13c	80220311	Gas diffuser ML/MV24 Ceramic	10
14	* 80110604 83077149 80110603	Tip adaptor ML-MV240 CuCrZr 5mm Tip adaptor ML-MV240 brass 5mm Tip adaptor ML-MV240 brass 7mm	10 10 10
15	* 80131201	CONTACT TIP. PLEASE SEE PAGE 6 - 7	10
16	* 80140610	Gas Nozzle ML/MV240 Conic	10
17	80140611	Gas Nozzle ML/MV240 Cylindric	10
	81100221	Wearparts box ML/MV 240 1.0 alu	1

* = Pre-assembled as standard

FKS 400 TWIST / Manager FKS 400



Position no.	Art. no.	Description	No of pcs.
12	80252500 80251501	Swan neck MV400 FKS Twist Swan neck MV 400 FKS Manager	1 1
13	92555041	Shrink FLEX Ø24 /8mm 1.2m glue	1
14	80100769	Insulator for cooling unit FKS400	1
15	80100767	Water cooling unit FKS 400	1
16	80100764	O-Ring FKS400W (2 pcs.)	1
17	80220201	Insulating ring FKS400W	10
18	* 80110408	Tip adaptor MV400FKS 24mm	10
19	* 80231202	CONTACT TIP. PLEASE SEE PAGE 6 - 7	10
20	80240308	Gas Nozzle MV400FKS Cylindric 62mm	10
21	* 80240307	Gas Nozzle MV400FKS Conic 62mm	10
22	80240318	Gas Nozzle MV400FKS Cylindric 67mm	10
23	80240317	Gas Nozzle MV400FKS Conic 67mm	10
24a	80110411	Tip adaptor for isolator 400FKS	10
24b	80220315	Gas diffuser isolator 400FKS	10
	81100236	Wearparts box MV 400 FKS 1.0-1.2 steel	1

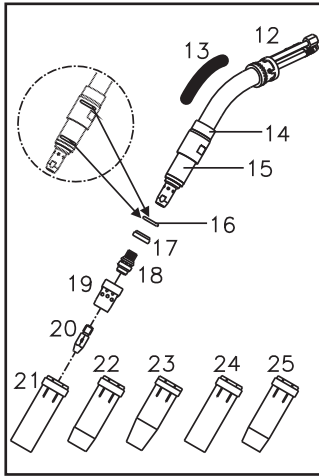
* = Pre-assembled as standard

Note: 24a and 24b must be used together



Wear parts for Water-cooled MIG Welding Torches

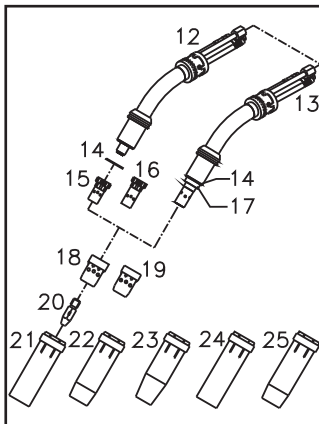
Wear parts for FKS 500 TWIST / Manager FKS 500



Position no.	Art. no.	Description	No of pcs.	
12	80252502	Swan neck MV500 FKS Twist	1	
13	92555041	Shrink FLEX Ø24 /8MM 1.2m Glue	1	
14	80100772	Insulator for cooling unit FKS500	1	
15	80100770	Water cooling unit FKS 500	1	
16	80100766	O-Ring FKS500W (2 pcs.)	1	
17	80220202	Insulating ring FKS500W	10	
18	*	80110410	Tip adaptor MV500FKS 38mm CuCrZr	10
19	*	80220312	Gas diffuser MV FKS/HD-5 White	10
		80220313	Gas diffuser Ceramic HD-S+500FKS	10
20	*	80231202	CONTACT TIP. PLEASE SEE PAGE 6 - 7	10
21		80240300	Gas Nozzle ML/MV Cylindric	10
22	*	80240303	Gas Nozzle ML/MV Conic	10
23		80240304	Gas Nozzle ML/MV Super Conic	10
24		80140701	Gas Nozzle ML360 Cylindric nickelled	10
25		80140700	Gas Nozzle ML360 Conic nickelled	10
		81100237	Wearparts box MV 500 FKS 1.0-1.2 steel	1

* = Pre-assembled as standard

Wear parts for MV 450 / 550 TWIST



Position no.	Art. no.	Description	No of pcs.	
12	80252202	Swan neck MV450KD MIG-A Twist	1	
12	80252302	Swan neck MV550KD MIG-A Twist	1	
13	80252204	Swan neck MV450 MIG-A Twist	1	
13	80252304	Swan neck MV550 MIG-A Twist	1	
14	80220303	Insulating Washer MV450/550	10	
15.1	80110401	Tip adaptor MV450/550 M8 25mm	10	
15.2	*	80110406	Tip adaptor MV450-550 CuCrZr 25	10
15.3	80110403	Tip adaptor MV450/550 M6 25mm	10	
16.1	80110402	Tip adaptor MV450/550 M8 29mm	10	
16.2	80110409	Tip adaptor MV450-550 CuCrZr 29mm	10	
17	80200307	Threaded Ring	1	
18.1	*	80220309	Gas diffuser MV450/550 White	10
18.2		80220306	Gas diffuser MV450/550 Black	10
18.3		80220310	Gas diffuser MV450/550 Ceramic	10
19	80220307	Gas diffuser MV450/550 Cylindric	10	
20	*	80231202	CONTACT TIP. PLEASE SEE PAGE 6 - 7	10
21		80240300	Gas Nozzle ML/MV Cylindric	10
22	*	80240303	Gas Nozzle ML/MV Conic	10
23		80240304	Gas Nozzle ML/MV Super Conic	10
24		80140701	Gas Nozzle ML360 Cylindric nickelled	10
25		80140700	Gas Nozzle ML360 Conic nickelled	10
		81100216	Wearparts box MV450/550 1.0-1.2 steel	1

* = Pre-assembled as standard



Contact Tips

Contact tip - design and length	Art. no.	Item description	ML 150	ML 250	ML 240	ML 300	ML 360	ML 400	ML 500
M 6									
	80130001	∅ 0.6 M6 ∅ 6 x 25 mm Cu nickel-plated	(●)	(●)	(●)	(●)	(●)		
	80130002	∅ 0.8 M6 ∅ 6 x 25 mm Cu nickel-plated	(●)	(●)	(●)	(●)	(●)		
	80130003	∅ 1.0 M6 ∅ 6 x 25 mm Cu nickel-plated	(●)	(●)	(●)	(●)	(●)		
	80130004	∅ 1.2 M6 ∅ 6 x 25 mm Cu nickel-plated	(●)	(●)	(●)	(●)	(●)		
	80130101	∅ 0.6 M6 ∅ 6 x 25 mm Cu	(●)	(●)	(●)				
	80130102	∅ 0.8 M6 ∅ 6 x 25 mm Cu	(●)	(●)	(●)				
	80130103	∅ 1.0 M6 ∅ 6 x 25 mm Cu	(●)	(●)	(●)				
	80130104	∅ 1.2 M6 ∅ 6 x 25 mm Cu	(●)	(●)	(●)				
	80130201	∅ 0.6 M6 ∅ 8 x 28 mm Cu	•	•	•	•	•		
	80130202	∅ 0.8 M6 ∅ 8 x 28 mm Cu	•	•	•	•	•		
	80130203	∅ 1.0 M6 ∅ 8 x 28 mm Cu	•	•	•	•	•		
	80130204	∅ 1.2 M6 ∅ 8 x 28 mm Cu	•	•	•	•	•		
	80131200	∅ 0.8 M6 ∅ 8 x 28 mm CuCrZr	•	•	•	•	•		
	80131201	∅ 1.0 M6 ∅ 8 x 28 mm CuCrZr	•	•	•	•	•		
	80131202	∅ 1.2 M6 ∅ 8 x 28 mm CuCrZr	•	•	•	•	•		
	80131203	∅ 1.4 M6 ∅ 8 x 28 mm CuCrZr	•	•	•	•	•		
80131204	∅ 1.6 M6 ∅ 8 x 28 mm CuCrZr	•	•	•	•	•			
M 8									
	80231220	∅ 0.8 M8 ∅ 8 x 30 mm CuCrZr heavy duty						•	•
	80231221	∅ 1.0 M8 ∅ 8 x 30 mm CuCrZr heavy duty						•	•
	80231222	∅ 1.2 M8 ∅ 8 x 30 mm CuCrZr heavy duty						•	•
	80231101	∅ 0.8 M8 ∅ 10 x 30 mm E-Cu						•	•
	80231102	∅ 1.0 M8 ∅ 10 x 30 mm E-Cu						•	•
	80231103	∅ 1.2 M8 ∅ 10 x 30 mm E-Cu						•	•
	80231106	∅ 1.4 M8 ∅ 10 x 30 mm E-Cu						•	•
	80231104	∅ 1.6 M8 ∅ 10 x 30 mm E-Cu						•	•
	80231200	∅ 0.8 M8 ∅ 8 x 30 mm CuCrZr						•	•
	80231201	∅ 1.0 M8 ∅ 8 x 30 mm CuCrZr						•	•
	80231202	∅ 1.2 M8 ∅ 8 x 30 mm CuCrZr						•	•
	80231203	∅ 1.6 M8 ∅ 8 x 30 mm CuCrZr						•	•
	80231204	∅ 1.4 M8 ∅ 8 x 30 mm CuCrZr						•	•
	80231205	∅ 0.8 M8 ∅ 10 x 30 mm CuCrZr						•	•
	80231206	∅ 1.0 M8 ∅ 10 x 30 mm CuCrZr						•	•
	80231207	∅ 1.2 M8 ∅ 10 x 30 mm CuCrZr						•	•
	80231208	∅ 1.4 M8 ∅ 10 x 30 mm CuCrZr						•	•
	80231209	∅ 1.6 M8 ∅ 10 x 30 mm CuCrZr						•	•

• = Mild steel Fe, stainless steel CrNi and FCW. (●) = Alternative, but we recommend ●. ■ = Aluminium welding.
 Δ = For gas nozzles with special length (depending on torch model). (Δ) = Alternative, but we recommend Δ.




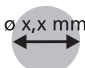



Contact Tips

Contact tip - design and length	Art. no.	Item description	MV 240	MV 450	MV 550	MV 400 FKS	MV 500 FKS
M 6							
	80130001	∅ 0.6 M6 ∅ 6 x 25 mm Cu nickel-plated	(●)				
	80130002	∅ 0.8 M6 ∅ 6 x 25 mm Cu nickel-plated	(●)				
	80130003	∅ 1.0 M6 ∅ 6 x 25 mm Cu nickel-plated	(●)				
	80130004	∅ 1.2 M6 ∅ 6 x 25 mm Cu nickel-plated	(●)				
	80130201	∅ 0.6 M6 ∅ 8 x 28 mm Cu	•				
	80130202	∅ 0.8 M6 ∅ 8 x 28 mm Cu	•				
	80130203	∅ 1.0 M6 ∅ 8 x 28 mm Cu	•				
	80130204	∅ 1.2 M6 ∅ 8 x 28 mm Cu	•				
	80131200	∅ 0.8 M6 ∅ 8 x 28 mm CuCrZr	•				
	80131201	∅ 1.0 M6 ∅ 8 x 28 mm CuCrZr	•				
	80131202	∅ 1.2 M6 ∅ 8 x 28 mm CuCrZr	•				
	80131203	∅ 1.4 M6 ∅ 8 x 28 mm CuCrZr	•				
	80131204	∅ 1.6 M6 ∅ 8 x 28 mm CuCrZr	•				
M 8							
	80231101	∅ 0.8 M8 ∅ 10 x 30 mm E-Cu		•	•	•	•
	80231102	∅ 1.0 M8 ∅ 10 x 30 mm E-Cu		•	•	•	•
	80231103	∅ 1.2 M8 ∅ 10 x 30 mm E-Cu		•	•	•	•
	80231106	∅ 1.4 M8 ∅ 10 x 30 mm E-Cu		•	•	•	•
	80231104	∅ 1.6 M8 ∅ 10 x 30 mm E-Cu		•	•	•	•
	80231110	∅ 0.8 M8 ∅ 8 x 35 mm CuCrZr		• Δ	• Δ	• Δ	• Δ
	80231111	∅ 1.0 M8 ∅ 8 x 35 mm CuCrZr		• Δ	• Δ	• Δ	• Δ
	80231112	∅ 1.2 M8 ∅ 8 x 35 mm CuCrZr		• Δ	• Δ	• Δ	• Δ
	80231113	∅ 1.6 M8 ∅ 8 x 35 mm CuCrZr		• Δ	• Δ	• Δ	• Δ
	80231121	∅ 1.0 M8 ∅ 10 x 35 mm E-Cu		(●) (Δ)	(●) (Δ)	(●) (Δ)	(●) (Δ)
	80231122	∅ 1.2 M8 ∅ 10 x 35 mm E-Cu		(●) (Δ)	(●) (Δ)	(●) (Δ)	(●) (Δ)
	80231123	∅ 1.6 M8 ∅ 10 x 35 mm E-Cu		(●) (Δ)	(●) (Δ)	(●) (Δ)	(●) (Δ)
	80231200	∅ 0.8 M8 ∅ 8 x 30 mm CuCrZr		•	•	•	•
	80231201	∅ 1.0 M8 ∅ 8 x 30 mm CuCrZr		•	•	•	•
	80231202	∅ 1.2 M8 ∅ 8 x 30 mm CuCrZr		•	•	•	•
	80231203	∅ 1.6 M8 ∅ 8 x 30 mm CuCrZr		•	•	•	•
	80231204	∅ 1.4 M8 ∅ 8 x 30 mm CuCrZr		•	•	•	•
	80231220	∅ 0.8 M8 ∅ 8 x 30 mm CuCrZr heavy duty		•	•	•	•
	80231221	∅ 1.0 M8 ∅ 8 x 30 mm CuCrZr heavy duty		•	•	•	•
	80231222	∅ 1.2 M8 ∅ 8 x 30 mm CuCrZr heavy duty		•	•	•	•
	80231205	∅ 0.8 M8 ∅ 10 x 30 mm CuCrZr		•	•	•	•
	80231206	∅ 1.0 M8 ∅ 10 x 30 mm CuCrZr		•	•	•	•
	80231207	∅ 1.2 M8 ∅ 10 x 30 mm CuCrZr		•	•	•	•
	80231208	∅ 1.4 M8 ∅ 10 x 30 mm CuCrZr		•	•	•	•
	80231209	∅ 1.6 M8 ∅ 10 x 30 mm CuCrZr		•	•	•	•
	80231300	∅ 0.8 M8 ∅ 10 x 38 mm CuCrZr			• ■ Δ	• ■ Δ	• ■
	80231301	∅ 1.0 M8 ∅ 10 x 38 mm CuCrZr			• ■ Δ	• ■ Δ	• ■
	80231302	∅ 1.2 M8 ∅ 10 x 38 mm CuCrZr			• ■ Δ	• ■ Δ	• ■
	80231303	∅ 1.6 M8 ∅ 10 x 38 mm CuCrZr			• ■ Δ	• ■ Δ	• ■
	80231401	∅ 1.0 M8 ∅ 10 x 41 mm CuCrZr				■ Δ	■ Δ
	80231402	∅ 1.2 M8 ∅ 10 x 41 mm CuCrZr				■ Δ	■ Δ

• = Mild steel Fe, stainless steel CrNi and FCW. (●) = Alternative, but we recommend ●. ■ = Aluminium welding.
 Δ = For gas nozzles with special length (depending on torch model). (Δ) = Alternative, but we recommend Δ.



Wire Liners

Wire	Wire diameter	Steel liner / Steel teflon liner				Plastic liner (PEH) with bronze neck	Carbon teflon liner (carbon PTFE) with bronze neck
							
Length of liner		3.4 m	4.4 m	5.4 m	6.4 m	4.4 m	4.4 m
Fe Mild steel	0.6 mm 0.8 mm 1.0 mm 1.2 mm 1.4 mm 1.6 mm 2.0 mm 2.4 mm	80160520 80160521 80160521 80160522 80160522 80160522 80160523 80160523	80160520 80160521 80160521 80160522 80160522 80160522 80160523 80160523	80160550 80160551 80160551 80160552 80160552 80160552 80160553 80160553			
CrNi Stainless steel	0.8 mm 1.0 mm 1.2 mm	80160558 80160558 80160558	80160554 80160554 80160554	80160556 80160556 80160556			80160700 80160700 80160707 80160707
Cu Copper alloys	1.2 mm 1.4 mm 1.6 mm		80160555 80160555 80160555	80160557 80160557 80160557	80160559 80160559 80160559		80160707 80160707 80160707
Fe Flux Steel with flux cored wire	0.6 mm 0.8 mm 1.0 mm 1.2 mm 1.4 mm 1.6 mm 2.0 mm 2.4 mm	80160520 80160521 80160521 80160522 80160522 80160522 80160523 80160523	80160520 80160521 80160521 80160522 80160522 80160522 80160523 80160523	80160550 80160551 80160551 80160552 80160552 80160552 80160553 80160553			
CrNi Flux Stainless steel with flux cored wire	0.8 mm 1.0 mm 1.2 mm 1.2 mm 1.4 mm 1.6 mm	80160558 80160558 80160558	80160554 80160554 80160554	80160556 80160556 80160556	80160559 80160559 80160559		80160700 80160707 80160707 80160707
Al Aluminium	0.8 mm 1.0 mm 1.2 mm 1.2 mm 1.4 mm 1.6 mm	80160558 80160558 80160558	80160554 80160554 80160554	80160556 80160556 80160556	80160559 80160559 80160559	80160711 80160713 80160713 80160713	
Fields highlighted in grey apply to steel teflon liner only							
For liner diameter Ø4 choose wire diameter 0.8 - 1.2 mm. For liner diameter Ø5 choose wire diameter 1.2 - 1.6 mm							

Spare Parts for ZA

Art. no.	Description
80200303	Swivel nut
26920008	Gas nipple Ms
80100004	Gas nipple Ms
26910008	Gas nipple CrNi
80100710	O-ring
80200312	Spring pin without spring 21.5 mm ø 5
80100773	Spring pin without spring 19.0 mm ø 6.5
80100747	Spring pin with spring 24.0 mm ø 5.2
80100810	Spring pin for ZA air 24mm ø 6.5
80100811	Spring pin for ZA water 12mm ø 6.5
80100706	ZA-ML Spring pin air
80200332	ZA-ML Spring pin water
80200301	Nut for ZA hose

Swivel nut: 80200303

Gas nipple:
 26920008 Ms
 80100004 Ms
 26910008 CrNi

O-ring:
 80100710
 x 1
 80100004 Ms x 2
 26910008 CrNi x 1

Spring pins:
 without spring 21.5 mm 80200312 ø5.0
 without spring 19.0 mm 80100773 ø6.5
 with spring 24.0 mm 80100747 ø5.2
 Spring pin for ZA air 24.0 mm 80100810 ø6.5
 Spring pin for ZA Water 12.0 mm 80100811 ø6.5

Socket Ø4 red, separate (2 pcs.) 18270004

