



STANDARDIZED WELDING AUTOMATION



MIGATRONIC WELDING VALUE IN YOUR STANDARD SOLUTIONS



Migatron is renowned and recognised all over the world for its welding technological expertise, reliability and ability to provide optimal welding solutions. Machines, accessories and equipment for high quality joints in all metals and alloys using MIG/MAG, TIG, MMA and plasma welding processes - from manual to robotic welding. In automation, we have chosen to supplement our welding expertise with standard components from Yaskawa. Hence, we have the pleasure of presenting you with selected standard welding cells combined with our intelligent welding machines.

The arc system is built to a global standard that delivers savings in both time and money. It is based on a modular system of standard components that can meet the requirements of the general and automotive industry using a minimum of floor space.

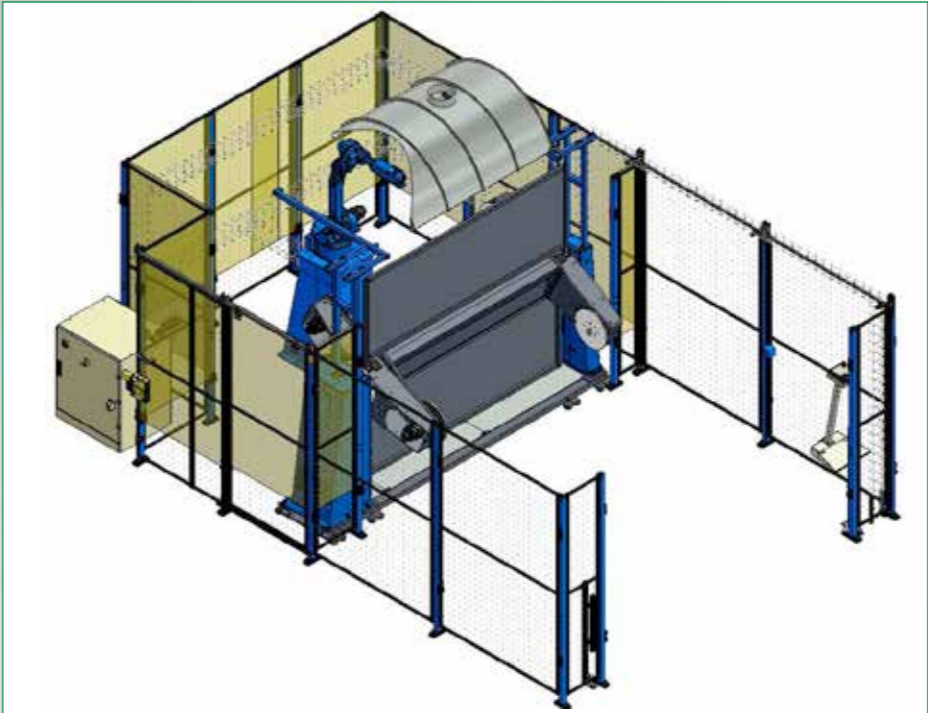
Be inspired by this brochure and our selected choices of standardized welding automation.

MIGATRONIC AUTOMATION RM2-500 S3D

Designed for high performance arc welding of medium sized parts with relatively short welding cycles. The single, high speed arc welding robot and the two-station RM2-positioner with its short index time makes it a small and efficient system.

The positioner has three servo controlled axes which are controlled from the robot. Hence, the rotation is coordinated with the robots movements during welding. The two-station positioner also makes it possible to load the parts while welding.

- Designed for operator ease of use
- Unobstructed view of the robot cell
- Complete safety kit



We reserve the right to make changes

EQUIPMENT	
Possible robots	MA1400, MA1900
Robot stand	H = 1200 mm
Positioner	RM2-500 S3D, L = 2000 mm, max. payload 500 kg/station
Fume hood	L = 2200 mm
Size as shown	6.6 x 4.2 meter
Safety kit	Safety fence, light guard, welding curtains, operator's panel
Welding equipment	PI 350, PI 350 Plasma, Sigma 400, Sigma Galaxy

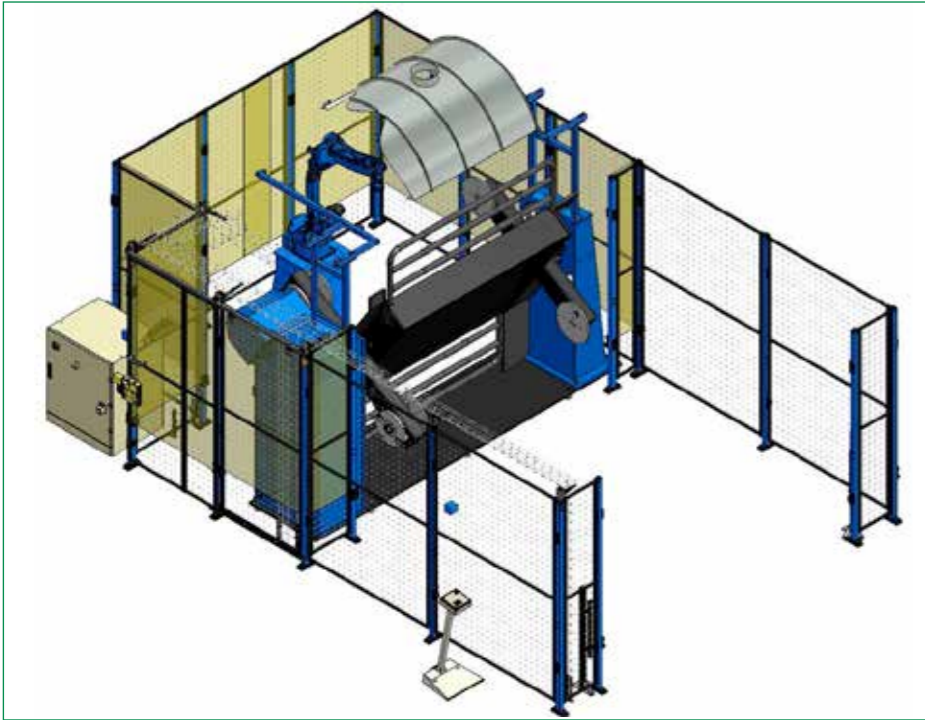


MIGATRONIC AUTOMATION RM2-500 STN

Designed for high performance arc welding of medium sized parts with relatively short welding cycles. The single, high speed arc welding robot and the two-station RM2-positioner with its short index time makes it a small and efficient system.

The positioner has three servo controlled axes which are controlled from the robot. Hence, the rotation is coordinated with the robots movements during welding. The two-station positioner also makes it possible to load the parts while welding.

- Designed for operator ease of use
- Unobstructed view of the robot cell
- Complete safety kit



We reserve the right to make changes

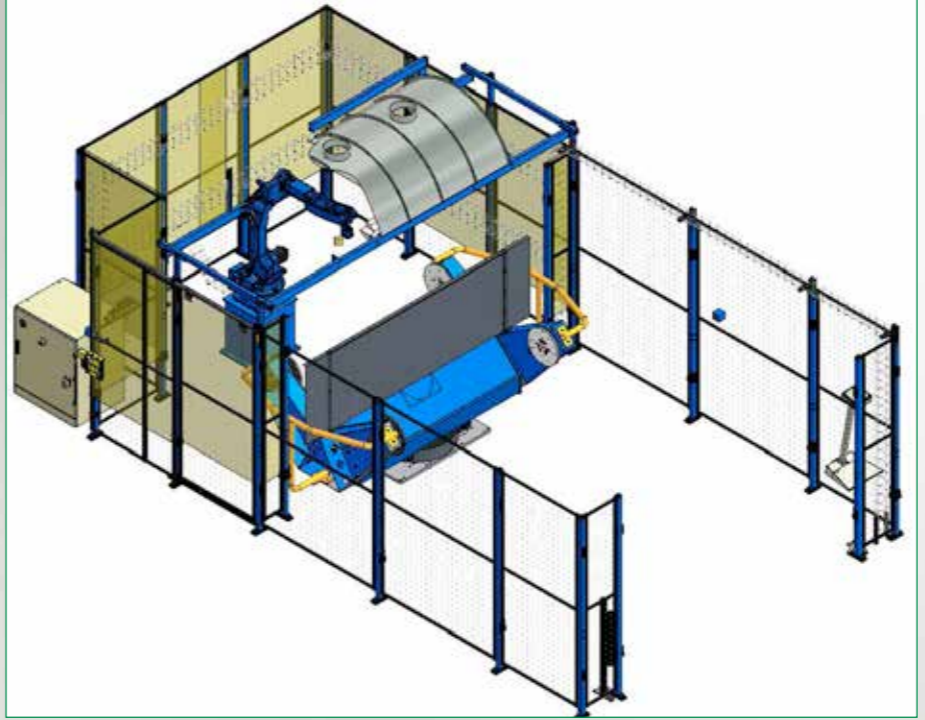
EQUIPMENT	
Possible robots	MA1400, MA1900
Robot stand	H = 1500 mm
Positioner	RM2-500 STN, L = 2000 mm, max. payload 500 kg/station
Fume hood	L = 2200 mm
Size as shown	6.6 x 4.2 meter
Safety kit	Safety fence, light guard, welding curtains, operator's panel
Welding equipment	PI 350, PI 350 Plasma, Sigma 400, Sigma Galaxy

MIGATRONIC AUTOMATION VMH-500 CDD

Designed for high performance arc welding of medium sized parts with relatively short welding cycles. The single, high speed arc welding robot and the two-station VMH-positioner with its short index time makes it a small and efficient system.

The positioner has three servo controlled axes which are controlled from the robot. Hence, the rotation is coordinated with the robots movements during welding. The two-station positioner also makes it possible to load the parts while welding.

- Designed for operator ease of use
- Unobstructed view of the robot cell
- Complete safety kit



We reserve the right to make changes

EQUIPMENT	
Possible robots	MA1400, MA1900
Robot stand	H = 600 mm
Positioner	VMH-500 CDD, L = 2000 mm, max. payload 500 kg/station
Fume hood	L = 2200 mm
Size as shown	7.6 x 4.3 meter
Safety kit	Safety fence, light guard, welding curtains, operator's panel
Welding equipment	PI 350, PI 350 Plasma, Sigma 400, Sigma Galaxy

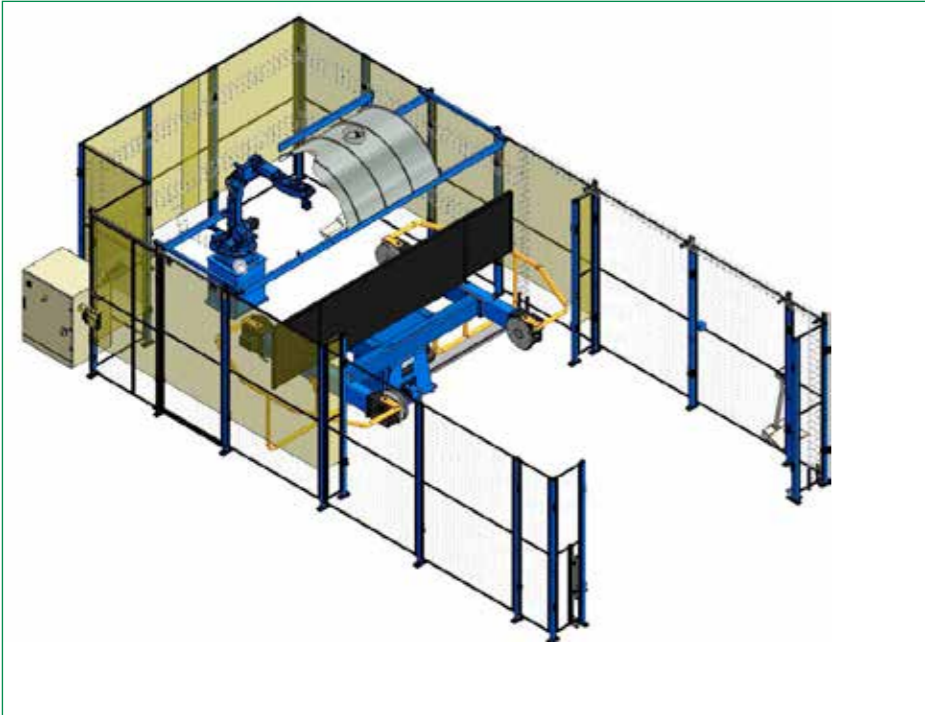


MIGATRONIC AUTOMATION VMH-500 S2DM

Designed for high performance arc welding of medium sized parts with relatively short welding cycles. The single, high speed arc welding robot and the two-station RM2-positioner with its short index time makes it a small and efficient system.

The positioner has three servo controlled axes which are controlled from the robot. Hence, the rotation is coordinated with the robots movements during welding. The two-station positioner also makes it possible to load the parts while welding.

- Designed for operator ease of use
- Unobstructed view of the robot cell
- Complete safety kit



We reserve the right to make changes

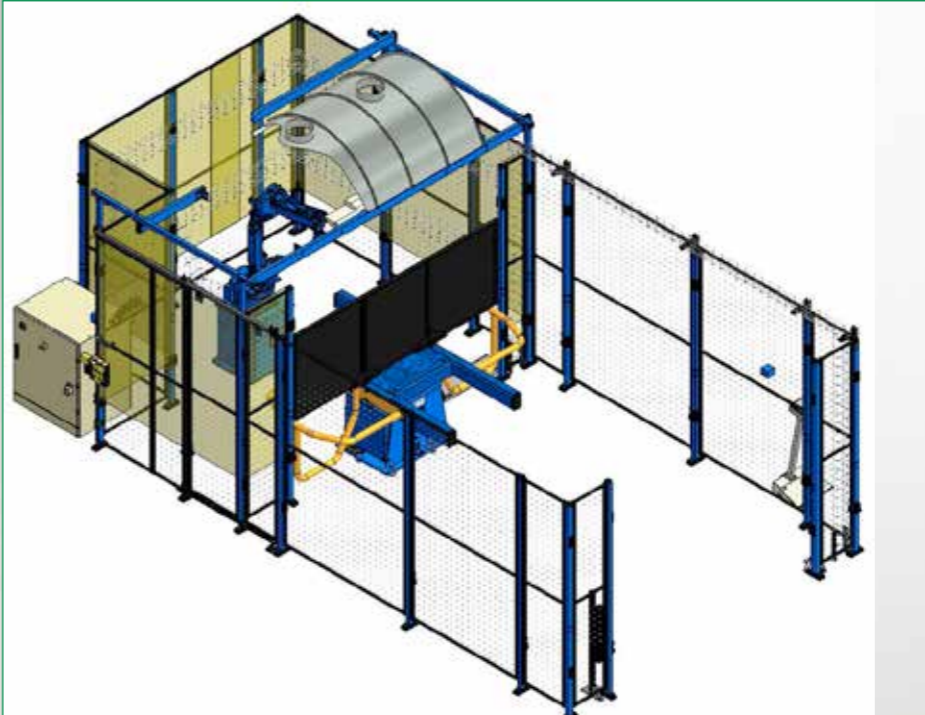
EQUIPMENT	
Possible robots	MA1900
Robot stand	H = 600 mm
Positioner	VMH-500 S2DM, L = 2000 mm, max. payload 500 kg/station
Fume hood	L = 2200 mm
Size as shown	8.7 x 4.6 meter
Safety kit	Safety fence, light guard, welding curtains, operator's panel
Welding equipment	PI 350, PI 350 Plasma, Sigma 400, Sigma Galaxy

MIGATRONIC AUTOMATION VMI-500 NM

Designed for arc welding of small to medium sized parts. The single, high speed arc welding robot and the two-station VMI-positioner makes it a small and efficient system.

The robot cell is constructed around a positioner with two fixed levels, where the operator can lay up parts on one side while the robot is welding on the other side.

- Designed for operator ease of use
- Unobstructed view of the robot cell
- Complete safety kit



We reserve the right to make changes

EQUIPMENT	
Possible robots	MA1400
Robot stand	H = 600 mm
Positioner	VMI-500 NM, max. payload 500 kg/station
Fume hood	L = 2200 mm
Size as shown	7 x 3.7 meter
Safety kit	Safety fence, light guard, welding curtains, operator's panel
Welding equipment	PI 350, PI 350 Plasma, Sigma 400, Sigma Galaxy

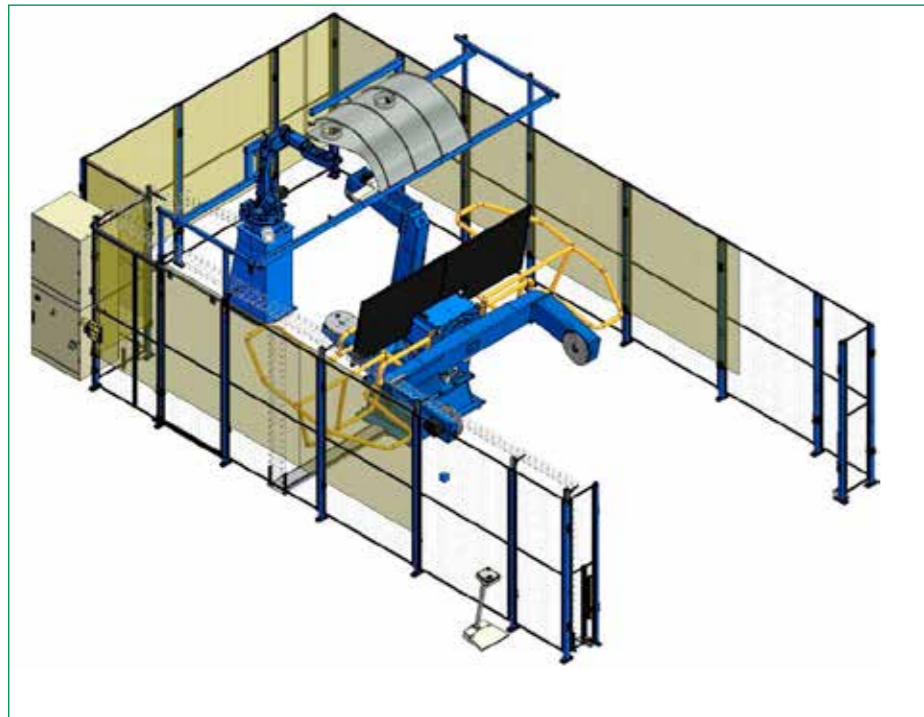


MIGATRONIC AUTOMATION VMF-500 S5D

Designed for arc welding of small to medium sized parts. The single, high speed arc welding robot and the two-station VMI-positioner makes it a small and efficient system.

The robot cell is constructed around a positioner with two fixed levels, where the operator can lay up parts on one side while the robot is welding on the other side.

- Designed for operator ease of use
- Unobstructed view of the robot cell
- Complete safety kit



We reserve the right to make changes

EQUIPMENT	
Possible robots	MA1900
Robot stand	H = 1200 mm
Positioner	VMF-500 S5D, L = 1500 - 2050 mm
Fume hood	L = 2200 mm
Size as shown	9 x 5.2 meter
Safety kit	Safety fence, light guard, welding curtains, operator's panel
Welding equipment	PI 350, PI 350 Plasma, Sigma 400, Sigma Galaxy

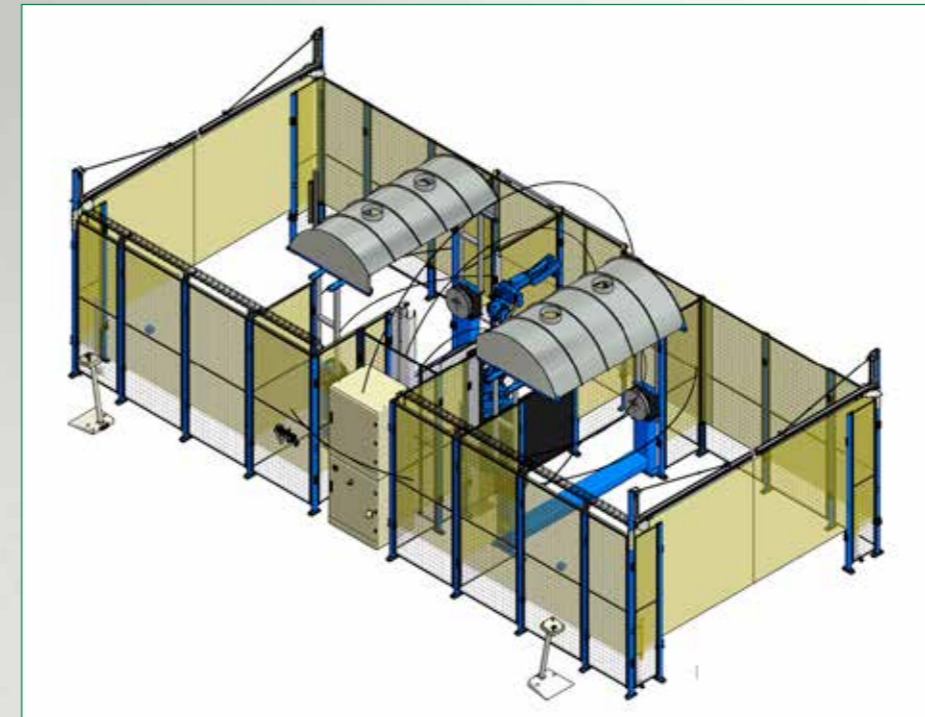
MIGATRONIC AUTOMATION 2x HSD-500 SDM

Designed for the arc welding with separate work flows, e.g. objects that require different fixtures.

The single arc welding robot and the two positioners on each side makes it a small and efficient system.

The cell is built around two 1-axed positioners type HSD 500 which has integrated robot axes rotating the parts coordinated with the movements of the robot.

- Designed for operator ease of use
- Unobstructed view of the robot cell
- Complete safety kit



We reserve the right to make changes

EQUIPMENT	
Possible robots	MA1900
Robot stand	H = 800 mm
Positioner	2x HSD-500 SDM, L = 2000 mm, max. payload 500 kg
Fume hood	L = 2200 mm
Size as shown	9.4 x 4.3meter
Safety kit	Safety fence, light guard, welding curtains, operator's panel
Welding equipment	PI 350, PI 350 Plasma, Sigma 400, Sigma Galaxy

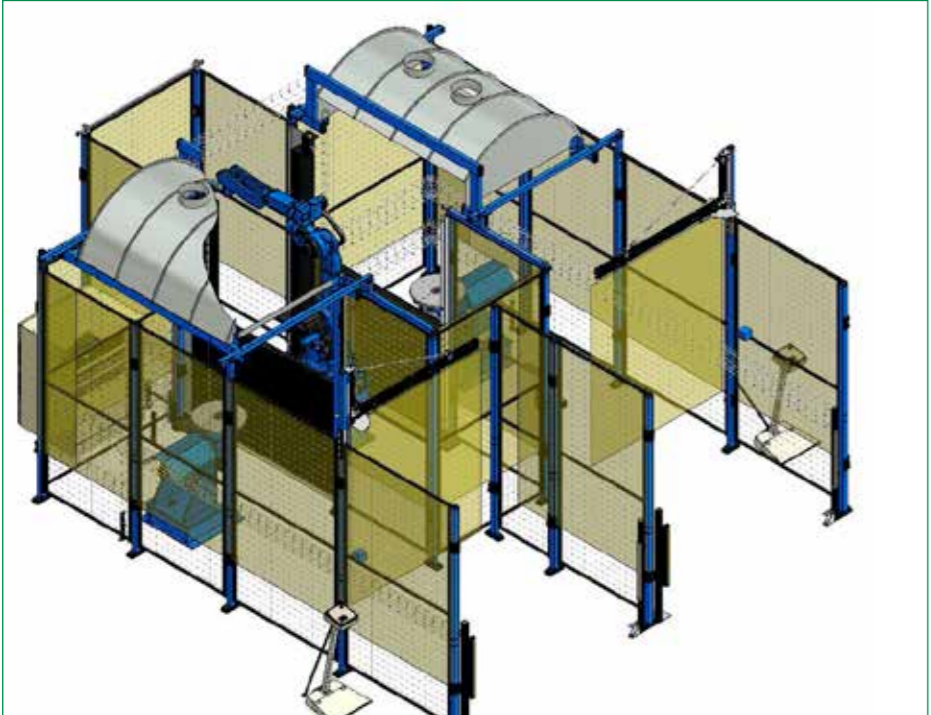
MIGATRONIC AUTOMATION

2x MT1-250 S2D

Designed for the arc welding with separate work flows, e.g. objects that require different fixtures. The single arc welding robot and the two positioners on each side makes it a small and efficient system.

The positioners can turn and tilt while the robot is welding. All motors are servo controlled from the robot.

- Designed for operator ease of use
- Unobstructed view of the robot cell
- Complete safety kit



We reserve the right to make changes

EQUIPMENT	
Possible robots	MA1900
Robot stand	H = 600 mm
Positioner	2x MT1-250 S2D, max. payload 250 kg
Fume hood	L = 1700 mm
Size as shown	5.9 x 4.6 meter
Safety kit	Safety fence, light guard, welding curtains, operator's panel
Welding equipment	PI 350, PI 350 Plasma, Sigma 400, Sigma Galaxy

SERVICE & SUPPORT



SERVICE & SUPPORT

Even the most thought-through and solid welding solution must be systematically maintained in order to maintain high performance through-out the lifespan of the welding solution.

Migatron's mobile service team is equipped with special tools and knowhow to properly service your welding solution.

The Migatron service team can provide you with fixed service agreements that systemizes the maintenance of the machinery and process equipment.

MIGATRONIC THINKS GREEN ...

To Migatron, green is more than just the colour of the welding machines we develop and manufacture. Green is an added dimension for the environmental improvement of our products. As much as 96% of all materials used in a Migatron welding machine are recyclable, and our goal is to further increase this ratio by using new materials and manufacturing methods.

Green is also on the agenda whenever we develop new features and functions. In these instances, we continually strive to reduce the consumption of power and gas. This is beneficial because it cuts welding costs and improves environmental sustainability.



MIGATRONIC WORLDWIDE

www.migatronic.fi
www.migatronic.no
www.migatronic.se
www.migatronic.dk
www.migatronic.co.uk
www.migatronic.nl
www.migatronic.de
www.migatronic.cz
www.migatronic.fr
www.migatronic.it
www.migatronic.hu
www.migatronic.in
www.migatronic.cn

CONTACT US

If you want to know more about your options within welding automation, you are welcome to contact us.

Claus Pagh

Export Manager

Tel.: +45 20 19 54 32

Migatronic Automation A/S

Knøsgårdvej 112

DK-9440 Aabybro, Denmark

Tel: (+45) 96 96 27 00

Telefax: (+45) 96 96 27 01

migatronic-automation.dk

